

1

2

3

4

5

6

7

8

A

B

C

D

E

F

G

H

A

B

C

D

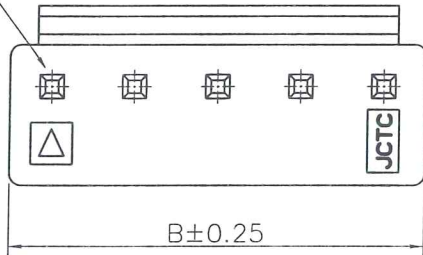
E

F

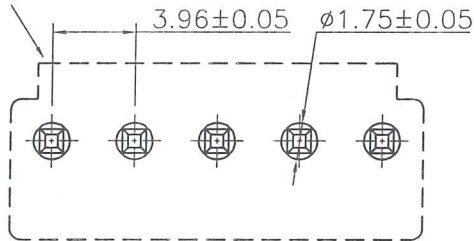
G

H

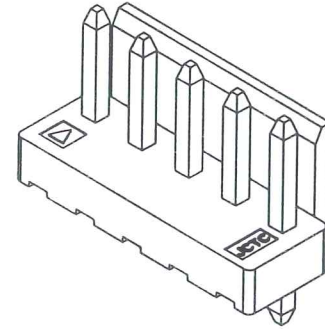
Circuit 1



Conn. profile



Recommended P.C.B Layout



| Circuit | Dimensions |       |
|---------|------------|-------|
|         | A          | B     |
| 2P      | --         | 7.92  |
| 3P      | 7.92       | 11.88 |
| 4P      | 11.88      | 15.84 |
| 5P      | 15.84      | 19.80 |
| 6P      | 19.80      | 23.76 |
| 7P      | 23.76      | 27.72 |
| 8P      | 27.72      | 31.68 |
| 9P      | 31.68      | 35.64 |
| 10P     | 35.64      | 39.60 |
| 11P     | 39.60      | 43.56 |
| 12P     | 43.56      | 47.52 |
| 13P     | 47.52      | 51.48 |
| 14P     | 51.48      | 55.44 |
| 15P     | 55.44      | 59.40 |

Specifications:

Rated Voltage : 250V AC/DC

Rated Current : 10A AC,DC

Withstand Voltage : 1500V AC/minute

Contact Resistance : 10mΩ(MAX.)

Insulation Resistance : 1000MΩ(MIN.)

Temperature Range : -25°C~+85°C

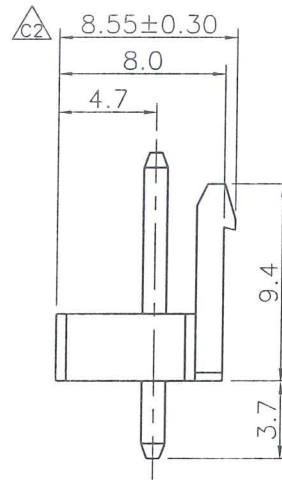
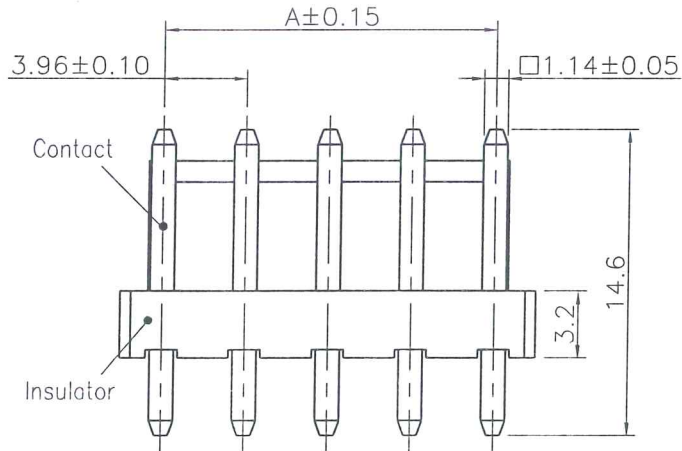
Contact: Brass/Tin-plated

Material: Nylon 66,UL94V-0 Halogen Free

The product using material and processing

must conform to the "WI-PZ-142"HSF

technical standard control requirements



| Part No.        | Material                         | Color |
|-----------------|----------------------------------|-------|
| 13962W00-NP-HF  | Nylon66,UL94V-0 Brass/Tin plated | 白色    |
| 13962W00-NPA-HF | Nylon66,UL94V-0 Brass/Tin plated | 黑色    |
| 13962W00-NPC-HF | Nylon66,UL94V-0 Brass/Tin plated | 红色    |
| 13962W00-NPE-HF | Nylon66,UL94V-0 Brass/Tin plated | 黄色    |
| 13962W00-NPF-HF | Nylon66,UL94V-0 Brass/Tin plated | 绿色    |
| 13962W00-NPG-HF | Nylon66,UL94V-0 Brass/Tin plated | 蓝色    |

| REV. | REVISION RECORD | DATE     | UNIT | GENERAL TOLERANCES | SCALE: | NAME      | DATE       | PART. NO.:                       | DWG. NO.: | JCTC®<br>TERMINAL&CONNECTORS |
|------|-----------------|----------|------|--------------------|--------|-----------|------------|----------------------------------|-----------|------------------------------|
| C1   | 新增红色、黄色、绿色、黑色规格 | 14.05.08 | MM   | LINEAR             | 1:1    |           |            | 13962W00-NP-HF                   | ENDE05    |                              |
| C2   | 修改卡扣结构          | 15.05.13 | MM   | 0.0±0.25           |        | APPROVED: | 2011.01.28 |                                  |           |                              |
| C3   | 更新公司名称          | 17.06.23 | MM   | 0.00±0.15          |        | DESIGNER: | 21.01.28   | TITLE:                           |           |                              |
| C4   | 换图框发行           | 21.01.28 | MM   | 0.000±0.08         |        | DRAWN:    | 张振坤        | 3.96mm Pitch Dip Type 180° Wafer |           |                              |
|      |                 |          |      | ANGLES             |        |           |            |                                  |           | REV: C4                      |
|      |                 |          |      | X° REF±6°          |        |           |            |                                  |           | SHEET: 1/i                   |
|      |                 |          |      | X° ±3°             |        |           |            |                                  |           |                              |
|      |                 |          |      | X° X'±2°           |        |           |            |                                  |           |                              |

1

2

3

4

5

6

7

8