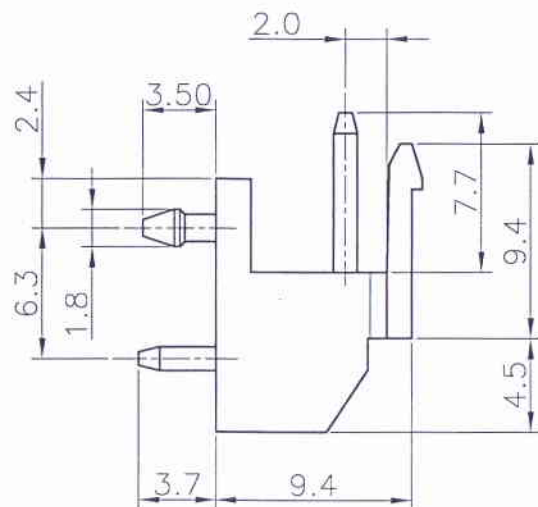
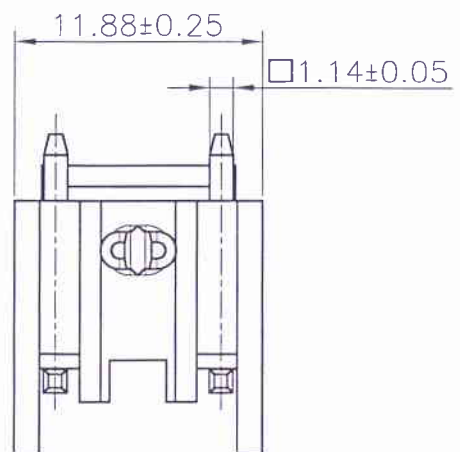


P.C.B LAYOUT



Specifications:
 Rated Voltage : 250V AC/DC
 Rated Current : 10A AC,DC
 Withstand Voltage : 1500V AC/minute
 Contact Resistance : 10mΩ(MAX.)
 Insulation Resistance : 1000MΩ(MIN.)
 Temperature Range : -25°C~+85°C
 Contact: Brass/Tin-plated
 Material: Nylon 66,UL94V-0 Halogen Free
 Color: Black
 The product using material and processing must conform to the "WI-PZ-142"HSF technical standard control requirements

REV.	REVISION RECORD	DATE		GENERAL TOLERANCES		SCALE: 1:1	NAME	DATE	JCTC ® 胜蓝科技股份有限公司 TERMINAL&CONNECTORS 东莞市富智达电子科技有限公司	PART. NO:
C0	新图面发行	13. 10. 23		LINEAR	ANGLES	APPROVED	<i>[Signature]</i>	2018.08.28		13962W90-3PA-F-HF-001
C1	更换公司名称	17. 10. 18	UNIT: MM	0.0±0.25	X° REF±6°	DESIGNER	<i>[Signature]</i>	18.08.14	DWG. NO:	
			SIZE: A4	0.00±0.15	X° ±3°	DRAWN	伍文聪	17. 10. 18	ENDE05	
				C. CCC±C. 08	X° X'±2°				REV: C1	SHEET: 1/1