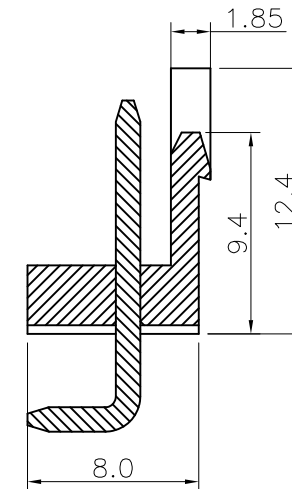
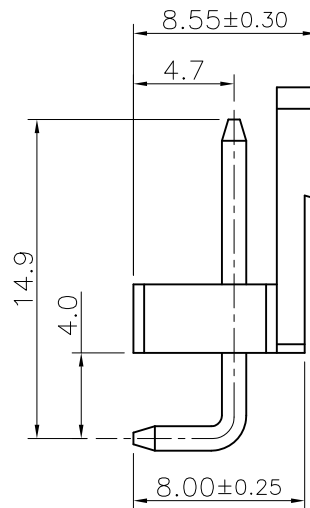
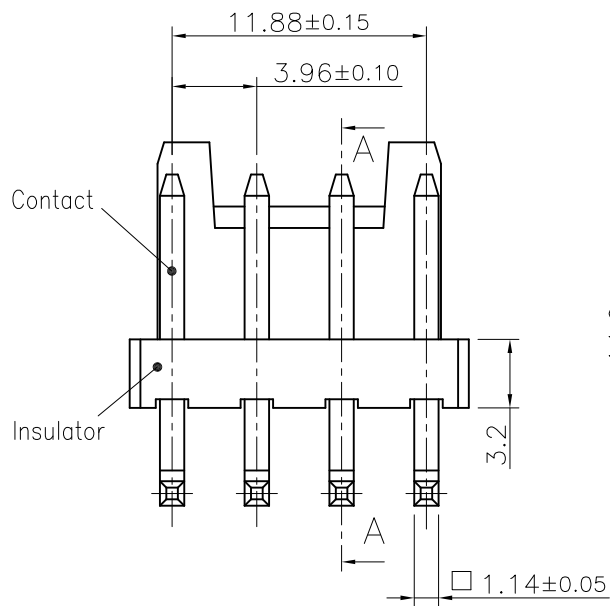


Specifications:  
 Rated Voltage : 250V AC/DC  
 Rated Current : 10A AC,DC  
 Withstand Voltage : 1500V AC/minute  
 Contact Resistance : 10mΩ(MAX.)  
 Insulation Resistance : 1000MΩ(MIN.)  
 Temperature Range : -25°C~+85°C  
 The product using material and processing must conform to the "WI-PZ-142" HSF technical standard control requirements

13962W90-NPX-D-HF

① ② ③④⑤ ⑥

- ① Series No.
- ② W90 : Side Contact  
W00 : Up Contact
- ③ No. of Circuits
- ④ X : Product color(A--Y)  
Blank-Natural type  
A-Black C-Red
- ⑤ D : D type
- ⑥ HF : Halogen Free



Section A-A

REV.	REVISION RECORD	DATE		GENERAL TOLERANCES		SCALE: 1:1	NAME	DATE	PART. NO: 13962W90-NPX-D-HF	DWG. NO: ENDE05	 <b>TERMINAL&amp;CONNECTORS</b>
A0	新增规格1	21.09.02		LINEAR	ANGLES	APPROVED					
			0.0±0.25	X° REF±6°	DESIGNER						
			0.00±0.15	X° ±3°	DRAWN	伍文聰	21.09.02	TITLE: 3.96mm Pitch Dip Type 90° Wafer			
			UNIT: MM	0.000±0.08	X° X'±2°				REV: A0	SHEET: 1/1	