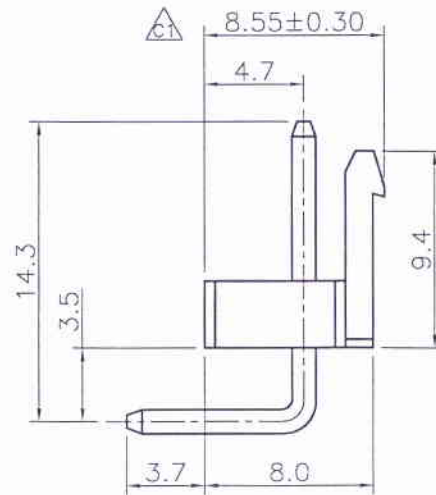
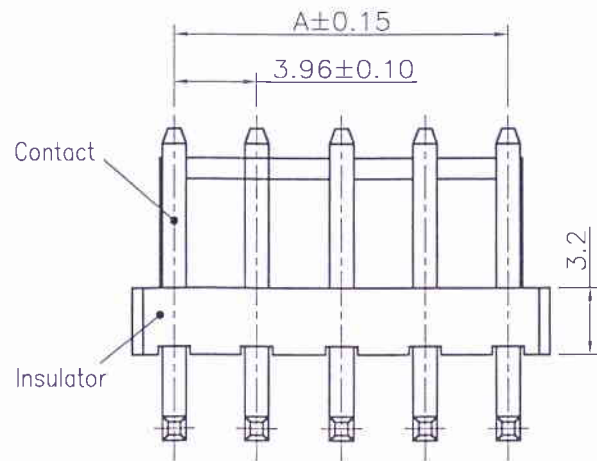
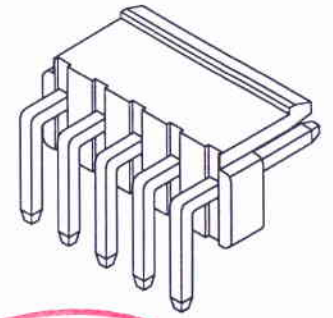


Recommended P.C.B Layout

13962W90-NPX-HF

① ② ③ ④ ⑤

- ① Series No.
- ② W90 : Side Contact
W00 : Up Contact
- ③ No. of Circuits
- ④ X : Product color(A--Y)
Blank-Natural type
A-Black C-Red
- ⑤ HF : Halogen Free



Specifications:

Rated Voltage : 250V AC/DC

Rated Current : 10A AC,DC

Withstand Voltage : 1500V AC/minute

Contact Resistance : 10mΩ(MAX.)

Insulation Resistance : 1000MΩ(MIN.)

Temperature Range : -25°C~+85°C

Contact: Brass/Tin-plated

Material: Nylon 66,UL94V-0 Halogen Free

Color: Natural(White)

The product using material and processing

must conform to the "WI-PZ-142" HSF

technical standard control requirements

Circuit	Dimensions	
	A	B
2P	--	7.92
3P	7.92	11.88
4P	11.88	15.84
5P	15.84	19.80
6P	19.80	23.76
7P	23.76	27.72
8P	27.72	31.68
9P	31.68	35.64
10P	35.64	39.60
11P	39.60	43.56
12P	43.56	47.52
13P	47.52	51.48
14P	51.48	55.44
15P	55.44	59.40

REV.	REVISION RECORD	DATE		GENERAL TOLERANCES		SCALE:	NAME	DATE	JCTC ® 胜蓝科技股份有限公司 TERMINAL&CONNECTORS 东莞市富智达电子科技有限公司	PART. NO.:
C0	新图面发行	13.04.15			LINEAR	ANGLES	1:1			
C1	修改卡扣结构	15.05.13		0.0±0.25	X° REF±6°	APPROVED	<i>[Signature]</i>	2018.7.8	DWG. NO.: ENDE05	
C2	变更公司名称	17.06.23	UNIT: MM	0.00±0.15	X° ±3°	DESIGNER	<i>[Signature]</i>	18.08.14		REV: C2
			SIZE: M	0.000±0.08	X° X'±2°	DRAWN	卢小锋	17.06.23	TITLE:	SHEET: 1/1
									3.96mm Pitch Dip Type 90° Wafer	