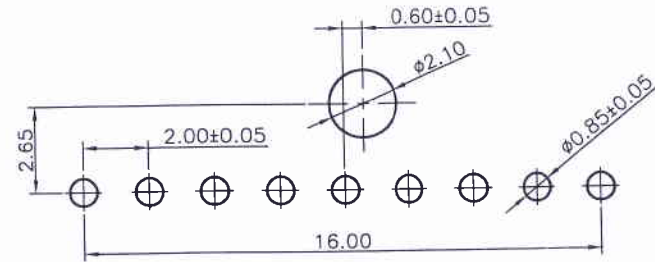
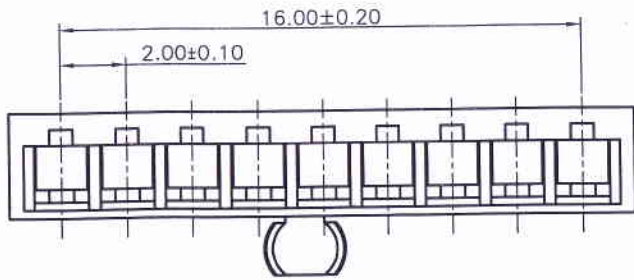
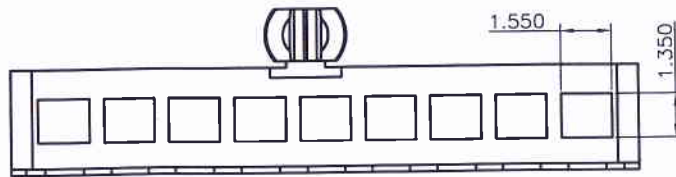
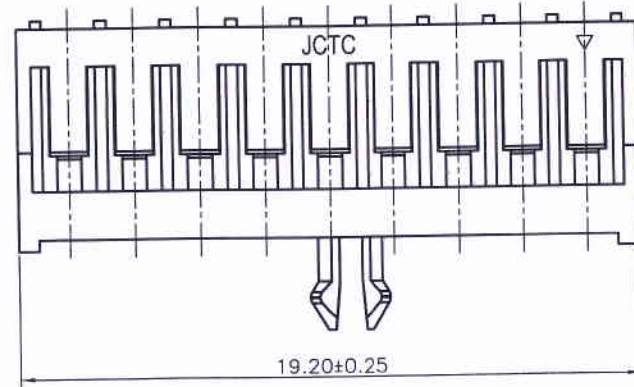
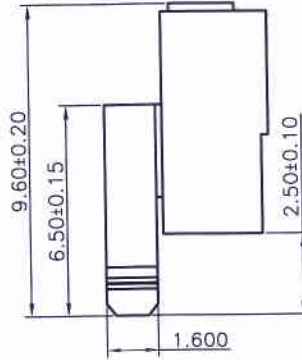
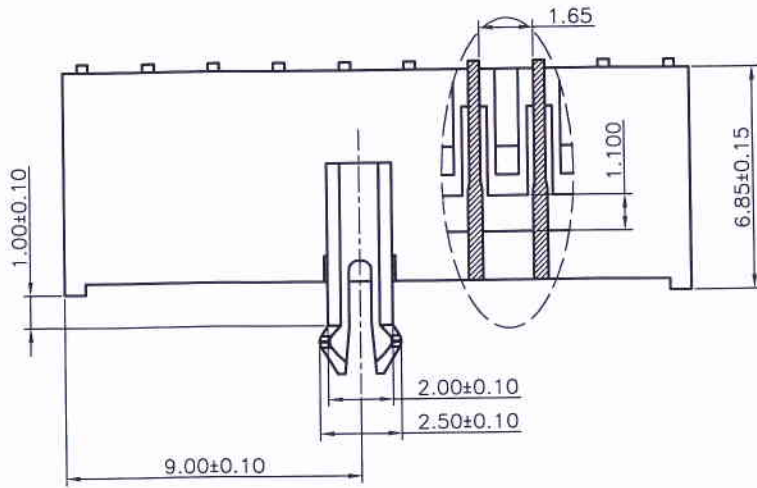


环保物料



Recommended P.C.B Layout



Specifications:  
 Rated Voltage : 250V AC/DC  
 Rated Current : 4A AC,DC  
 Withstand Voltage : 800V AC/minute  
 Contact Resistance : 20mΩ(MAX.)  
 Insulation Resistance : 1000MΩ(MIN.)  
 Temperature Range : -25°C~+85°C

Suitable for JCTC 22001 series terminal

Part No.	Material	Color
22001H00-9P-F-HF	Nylon 66,UL94V-0	本色无漆

REV.	REVISION RECORD	DATE	GENERAL TOLERANCES		SCALE:	NAME	DATE	JCTC® 胜蓝科技股份有限公司 TERMINAL&CONNECTORS 东莞市富智达电子科技有限公司	PART NO:
A0	新图面发行	16.05.11	LINEAR	ANGLES	1:1	张平	17.05.10		22001H00-9P-F-HF
A1	更新公司名称	17.05.10	0.0±0.25	X° REF±6°	APPROVED	张平	17.05.10	DWG. NO:	
			UNIT: MM	X° ±3°	DESIGNER	张平	17.05.10	ENDE05	
			SIZE: A4	0.000±0.08	DRAWN	张平	17.05.10	REV: A1	
								TITLE:	SHEET: 1/1
								SAN 2.00mm PITCH HOUSING	