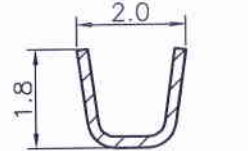
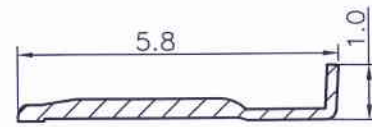
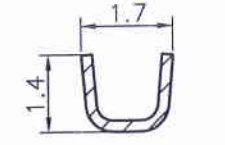
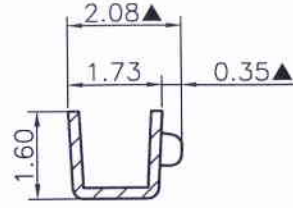
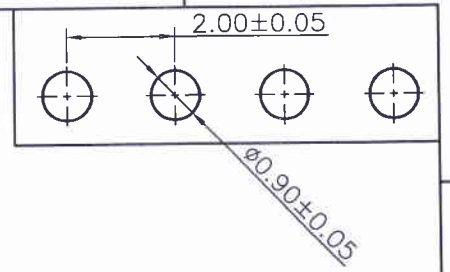
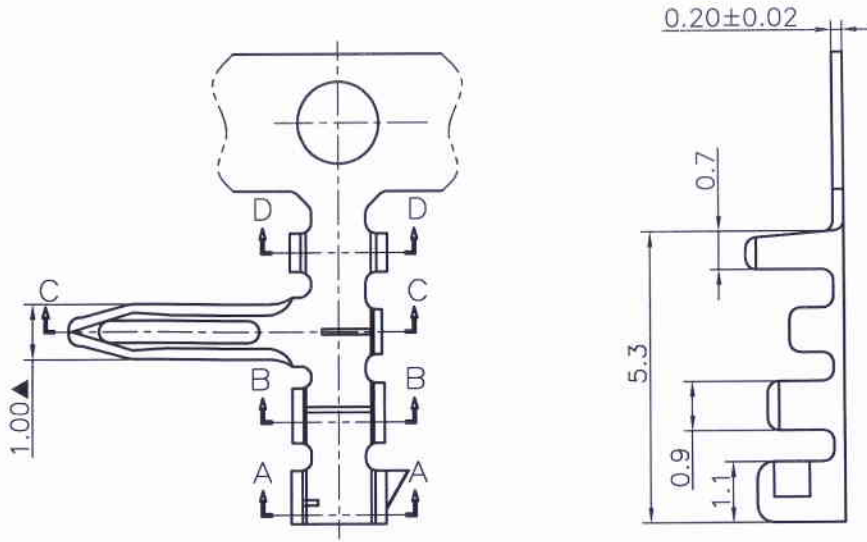


RoHS



22001T9 B-XX - NK  
 Series Material Plating Space:Mark  
 B:Brass 2E:Tin-plated NK:No Mark  
 5C:Gold-plated 3u"

Part No	Wire Range	Insulation O.D.	Material	Finish	Qty/reel
22001T9B-2E	AWG #26~#28	1.45mm(max)	Brass	Tin-plated 60u"Min	10,000 pcs
22001T9B-2E-NK	AWG #26~#28	1.45mm(max)	Brass	Tin-plated 60u"Min	10,000 pcs
22001T9B-5C-NK	AWG #26~#28	1.45mm(max)	Brass	Gold-plated 3u"	10,000 pcs

REV.	REVISION RECORD	DATE	UNIT	GENERAL TOLERANCES	SCALE:	NAME	DATE	JCTC® 胜蓝科技股份有限公司 TERMINAL&CONNECTORS 东莞市富智达电子科技有限公司	PART. NO:
C0	新图面发行	09.11.25	MM	LINEAR: 0.0±0.25 ANGLES: X° REF±6°	1:1	APPROVED: [Signature]	17.05.10		22001T9B-XX-XX
C1	新增镀全金3u"规格	10.04.28	MM	0.00±0.15		DESIGNER: [Signature]	17.05.10	DWG. NO:	
C2	变更公司名称	17.03.20	MM	0.00±0.08		DRAWN: 卢小锋	17.03.20	ENDE05	
			SIZE: A4	X° X'±2°				TITLE: SAN2.0 90° 端子	
								REV: C2 SHEET: 1/1	