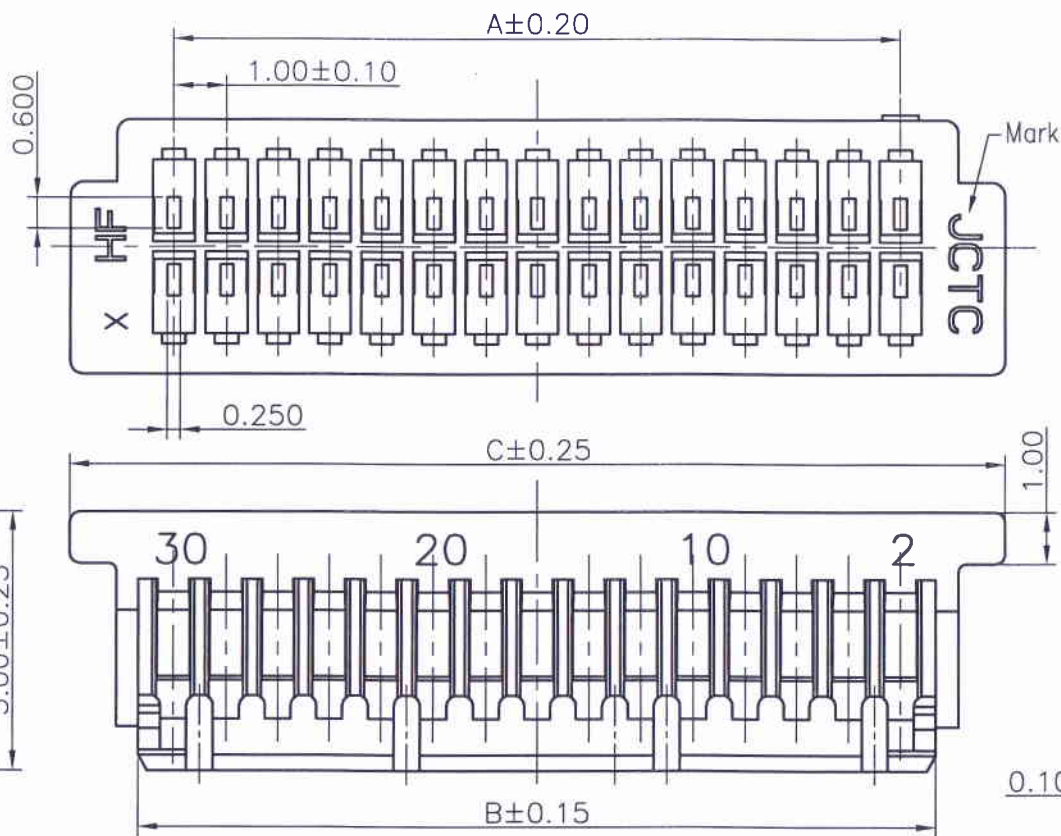
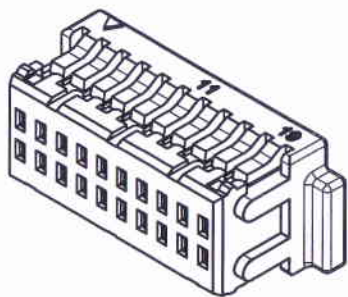


RoHS



Dimensional Ordering Information:			
Circuits	Dimensions		
	Part No	A	B
2x5P	4.00	5.35	8.00
2x8P	7.00	8.35	11.00
2x10P	9.00	10.35	13.00
2x15P	14.00	15.35	18.00
2x20P	19.00	20.35	23.00

Specifications:

Rated Voltage : 50V AC/DC
 Rated Current : 1A AC,DC
 Withstand Voltage : 500V AC/minute
 Contact Resistance : 20mΩ(MAX.)
 Insulation Resistance : 100MΩ(MIN.)
 Temperature Range : -25°C~+85°C

11002H00-2XNPA-HF-S4

① ② ③ ④ ⑤ ⑥

- ① Series No.
- ② H90 : Side Contact
H00 : Up Contact
- ③ No. of Circuits
- ④ X : Product color(A--Y)
A : Black type
- ⑤ HF : Halogen Free
- ⑥ S4 : S4 TYPE

Suitable for JCTC 11002 series terminal

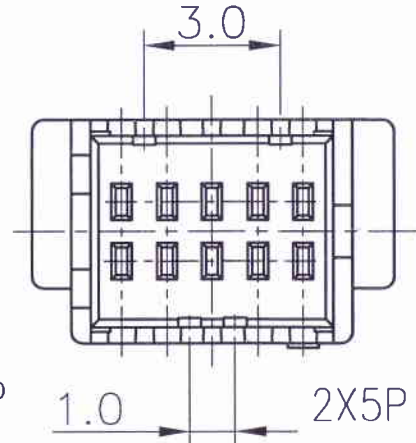
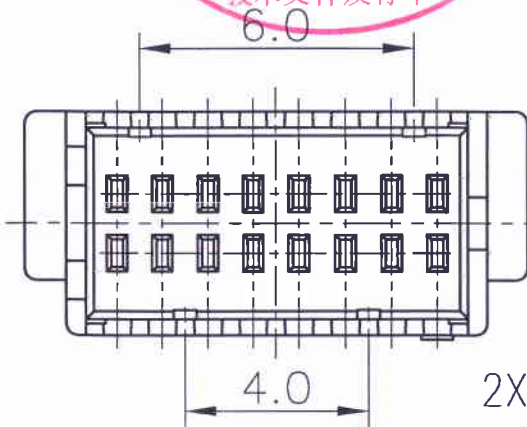
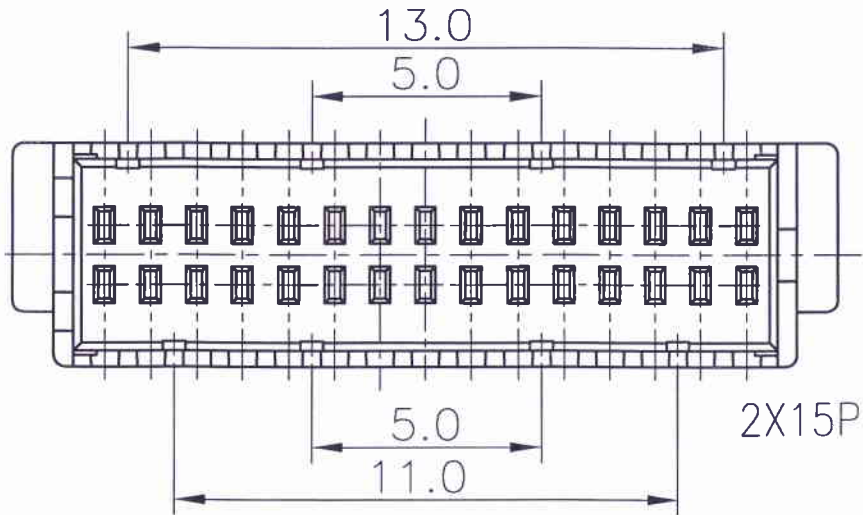
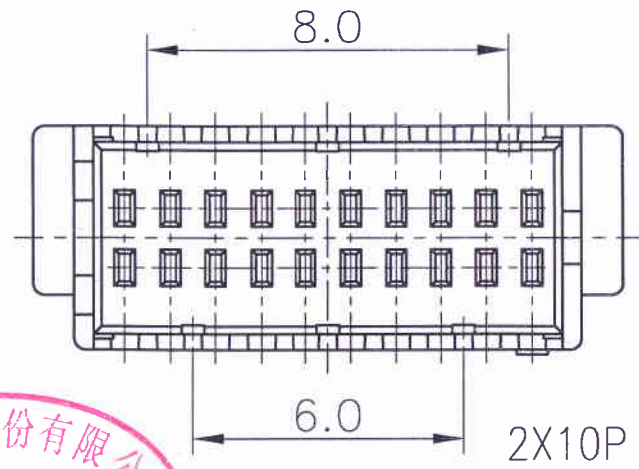
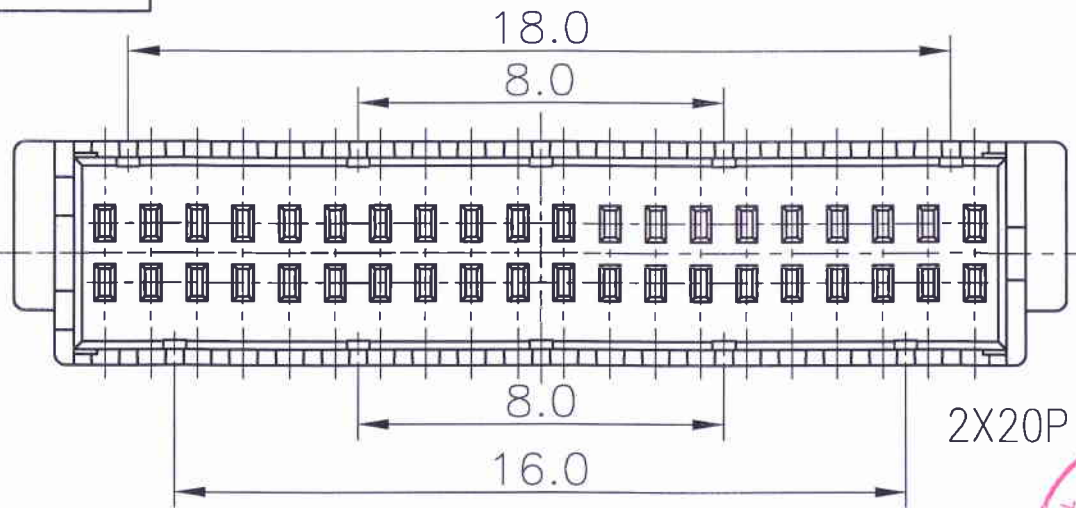
Part No.	Material	Color
11002H00-2XNP-HF-S4	Nylon 66,UL94V-0	Natural(White)
11002H00-2XNPA-HF-S4	Nylon 66,UL94V-0	Black



REV.	REVISION RECORD	DATE	GENERAL TOLERANCES	SCALE:	NAME	DATE
C0	新图面发行	13.06.05	LINEAR	1:1		
C1	新增2X10P规格	14.04.30	0.0±0.25	ANGLES		
C2	新增黑色规格	16.06.08	0.00±0.15	X° REF±6°		
C3	新增2X5P、2X8P规格	17.06.12	0.000±0.08	X° ±3°		
			UNIT: MM	X° X'±2°		
			SIZE: A4			

JCTC ® 胜蓝科技股份有限公司 TERMINAL&CONNECTORS 东莞市富智达电子科技有限公司		PART. NO: 11002H00-2XNP-HF-S4
TITLE: JST 1.0mm PITCH 双排 Housing		DWG. NO: ENDE05
REV: C3	SHEET: 1/2	

RoHS



REV.	REVISION RECORD	DATE		GENERAL TOLERANCES		SCALE:	NAME	DATE	JCTC® 胜蓝科技股份有限公司 TERMINAL&CONNECTORS 东莞市富智达电子科技有限公司	PART. NO:
C0	新图面发行	13.06.03			LINEAR	ANGLES	1:1			
C1	新增2X10P规格	14.04.30	UNIT: MM SIZE: A4	0.00±0.25	X° REF±6°	APPROVED	<i>[Signature]</i>		DWG. NO: ENDE05	
C2	新增2X5P、2X8P规格	17.06.12		0.00±0.15	X° ±3°	DESIGNER	<i>[Signature]</i>			
				0.000±0.08	X° X'±2"	DRAWN	卢小锋	17.06.12	TITLE:	REV: C2 SHEET: 2/2

TITLE:
JST 1.0mm PITCH 双排 Housing