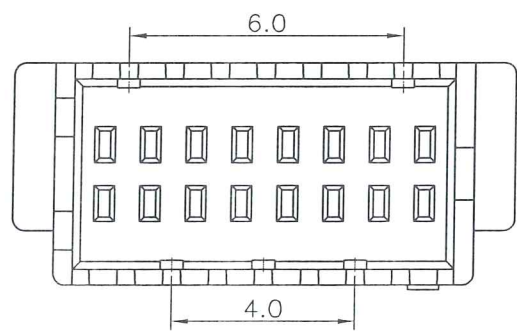
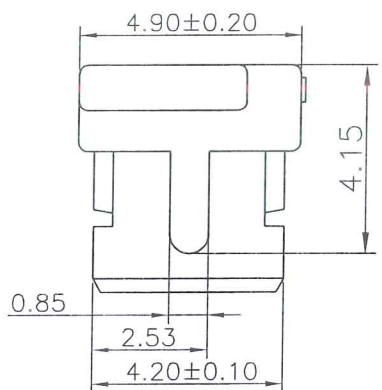
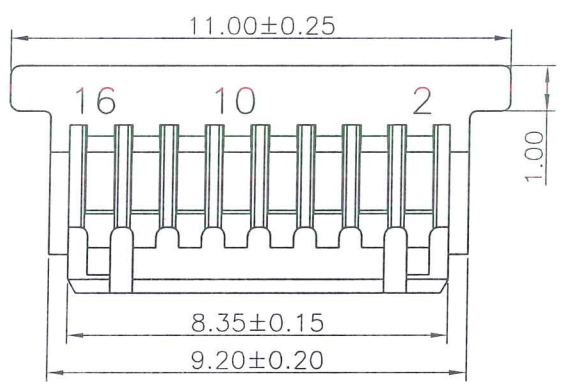
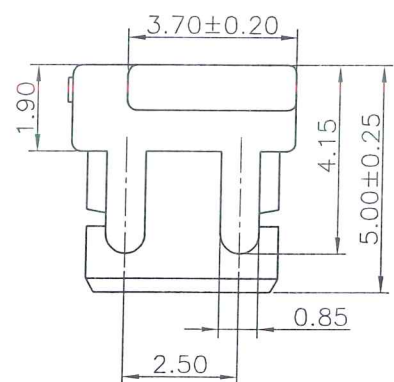


Specifications:
 Rated Voltage : 50V AC/DC
 Rated Current : 1A AC,DC
 Withstand Voltage : 500V AC/minute
 Contact Resistance : 20mΩ(MAX.)
 Insulation Resistance : 100MΩ(MIN.)
 Temperature Range : -25°C~+85°C
 The product using material and processing must conform to the "WI-PZ-142" HSF technical standard control requirements



11002H00-2XNPX-HF-S5
 ① ② ③ ④ ⑤ ⑥

- ① Series No.
- ② H90 : Side Contact
H00 : Up Contact
- ③ No. of Circuits
- ④ A: Product color (A--Y)
Blank : Natural type
- ⑤ HF : Halogen Free
- ⑥ S5 : S5 Type



Suitable for JCTC 11002 series terminal

Part No.	Material	Color
11002H00-2X8P-HF-S5	Nylon 66,UL94V-0	Natural(White)

REV.	REVISION RECORD	DATE	UNIT: MM	SIZE: A4	GENERAL TOLERANCES	SCALE: 1:1	NAME	DATE
A0	新版发行	20.12.23			LINEAR: 0.0±0.25 ANGLES: X° REF±6° 0.00±0.15 X° ±3° 0.000±0.08 X° X'±2°		伍文聪	20.12.23

JCTC ® 胜蓝科技股份有限公司 TERMINAL & CONNECTORS 东莞市富智达电子科技有限公司		PART NO: 11002H00-2XNPX-HF-S5
TITLE: JST 1.00mm PITCH HOUSING 多防呆槽型		DWG. NO: ENDE05
REV: A0	SHEET: 1/1	