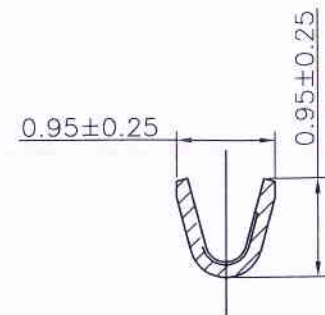
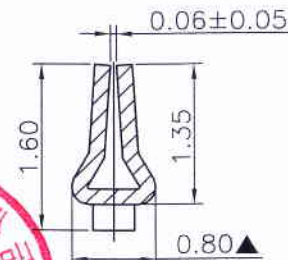


SECTION A-A



SECTION B-B



SECTION C-C

Note:11002TOP-XX-S-S2-NK

5A--Gold-flash 5B--2μ 5C--3μ 5D--4μ 5E--5μ  
5F--10μ 5G--15μ 5H--30μ 5I--50μ

The product using material and processing must conform to the "WI-PZ-142" HSF technical standard control requirements

Specification & Ordering Information:

Part No	Wire Range	Insulation O.D.	Material	Finish	Qty/reel
11002TOP-5X-S-S2-NK	AWG #28~#32	0.80mm(max)	Phosphor Bronze	Ni. 70u"Min., Gold Plated on Overall	2,000 PCS

REV.	REVISION RECORD	DATE	UNIT: MM	GENERAL TOLERANCES		SCALE: 1:1	NAME	DATE	PART NO:				
				LINEAR	ANGLES					APPROVED			
A0	新图面发行	15.09.28	SIZE: A4	0.0±0.25	X° REF±6°	DESIGNER	张振坤	20.01.10	11002TOP-XX-S-S2-NK				
A1	TN2001100007	20.01.09		0.00±0.15	X° ±3°					DRAWN	张振坤	20.01.09	DWG. NO:
				0.000±0.08	X° X' ±2°								
									REV: A1 SHEET: 1/1				

