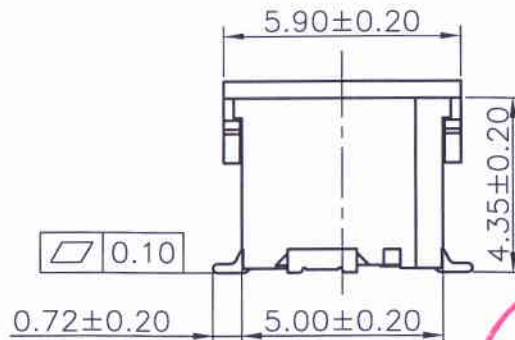
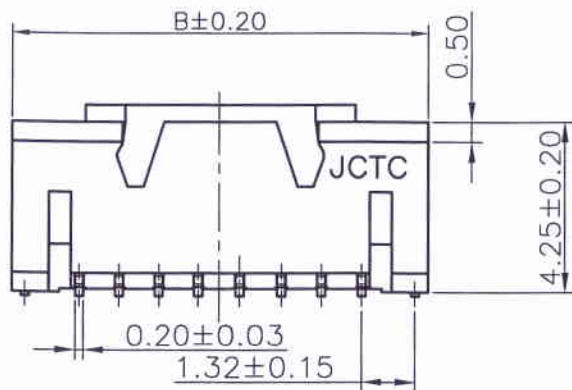
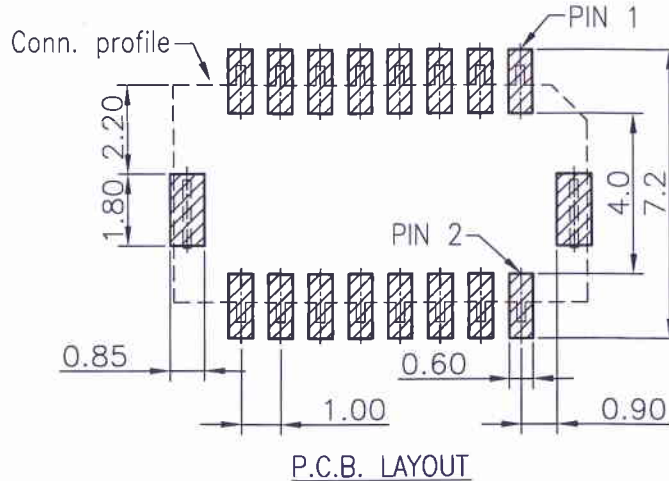
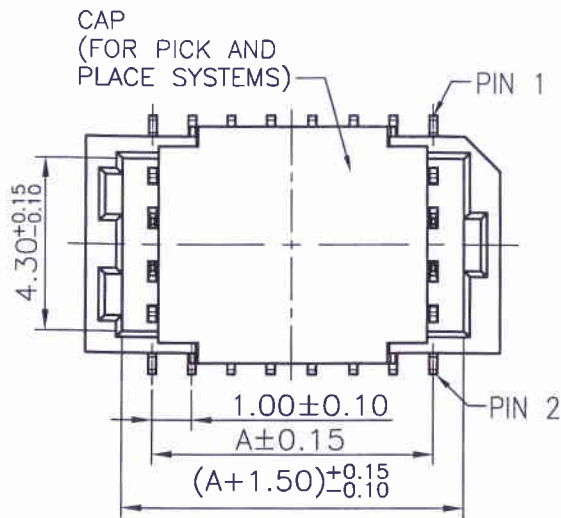


RoHS



SPECIFICATIONS

Voltage Rating: 50V AC,DC  
 Current Rating: 1A AC,DC  
 Withstanding Voltage: 500V AC/minute  
 Contact Resistance: 20mΩ Max.  
 Insulation Resistance: 100MΩ Min.  
 Temperature Range: -25°C ~ +85°C

11002W00-2XNP-2S-S1-2M-HF  
 ① ② ③ ④ ⑤ ⑥ ⑦

- ① Series No.
- ② W90 : Side Contact  
W00 : Up Contact
- ③ No. of Circuits
- ④ 2S: SMT type  
Blank: DIP type
- ⑤ S5 : S5 Type
- ⑥ 2M : Matte Tin-plated  
Blank : Gold-Plating
- ⑦ HF : Halogen Free

Dimensional Ordering Information:		
Circuits	Dimensions	
Part No	A	B
2X5P	4.00	7.30
2X8P	7.00	10.30



Suitable for JCTC 11002 series terminal

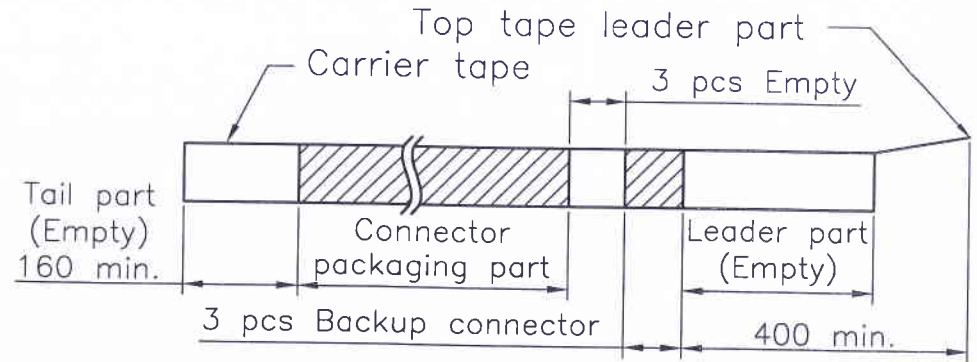
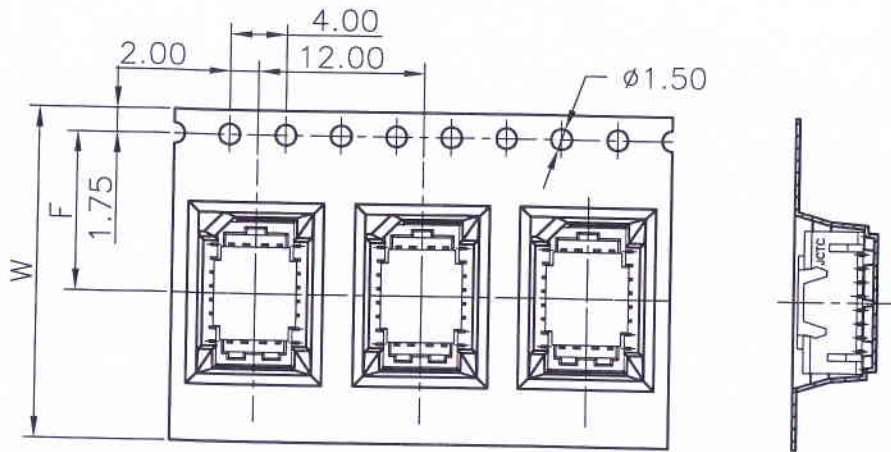
Part No.	Material	Color	Pin Material	Solder Tabs
11002W00-2XNP-2S-S1-2M-HF	High temperature plastic,UL94V-0	Beige	Phosphor Bronze/Matte Tin-plated	Brass/Matte Tin-plated

REV.	REVISION RECORD	DATE	GENERAL TOLERANCES	SCALE:	NAME	DATE	JCTC® 胜蓝科技股份有限公司 TERMINAL&CONNECTORS 东莞市富智达电子科技有限公司	PART NO:
AO	新图面发行	17.06.12	LINEAR 0.0±0.25 0.00±0.15 0.000±0.08	1:1	APPROVED DESIGNER DRAWN	17.06.12		11002W00-2XNP-2S-S1-XX-HF
			ANGLES X° REF±6° X° ±3° X° X'±2°				TITLE: JST 1.00mm PITCH 双排 CONN	DWG. NO: ENDE05
			UNIT: MM SIZE: A4				REV: AO	SHEET: 1/3

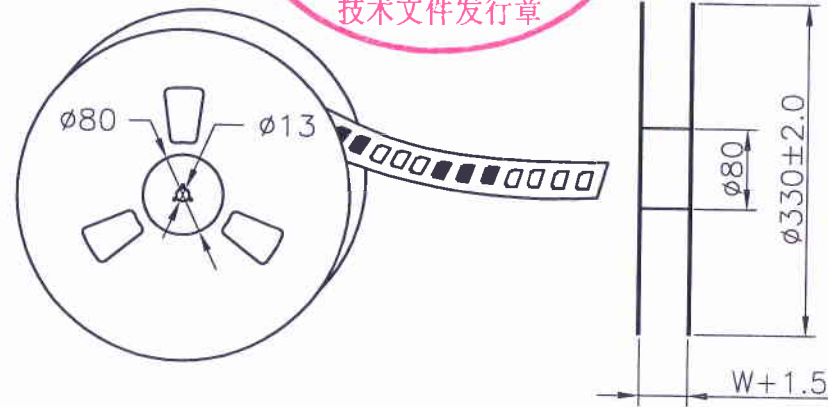
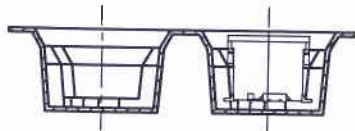


RoHS

2X5~2X8 Contacts



Unreeling direction →



Number of Contacts	W±0.3	F±0.1	S±0.1	Q'ty/Reel
2X5P	24	11.50		1,000
2X8P	24	11.50		1,000

REV.	REVISION RECORD		DATE	UNIT: MM	GENERAL TOLERANCES		SCALE: 1:1	NAME	DATE	JSTC® 胜蓝科技股份有限公司 TERMINAL&CONNECTORS 东莞市富智达电子科技有限公司	PART. NO: 11002W00-2XNP-2S-S1-XX-HF
	NO.	DESCRIPTION			LINEAR	ANGLES					
A0		新图面发行	17.06.12		0.0±0.25	X° REF±6°		卢小锋	17.06.12		
				SIZE: A4	0.00±0.15	X° ±3°				TITLE: JST 1.00mm PITCH 双排 CONN	REV: A0 SHEET: 3/3
					0.00±0.08	X° X'±2°					