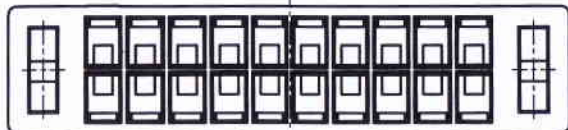
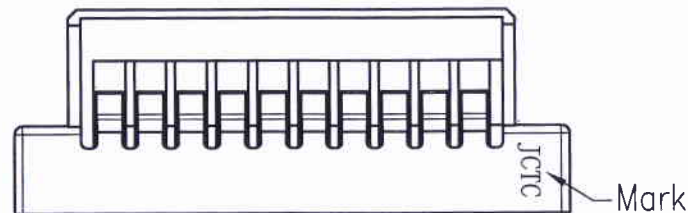
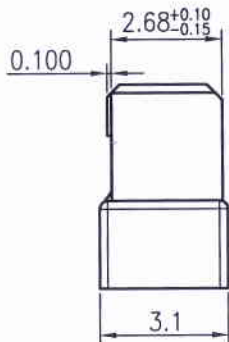
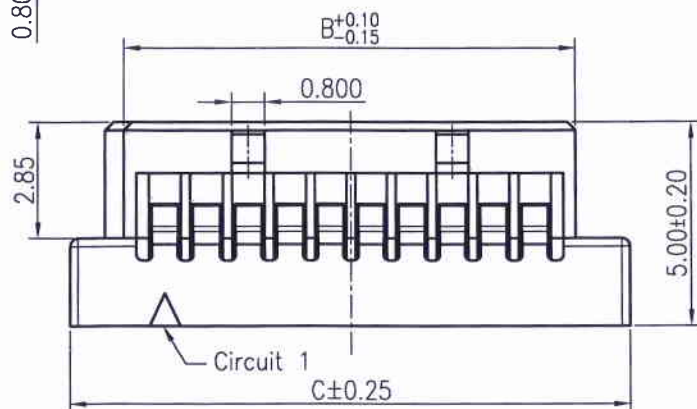
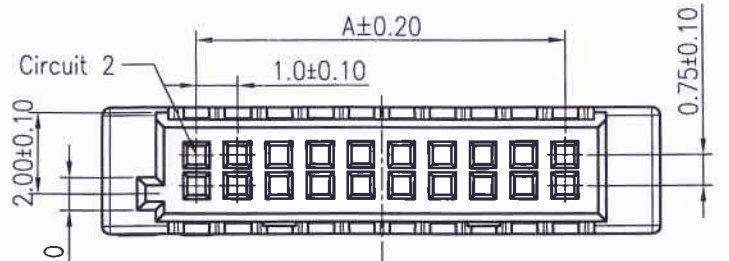


RoHS



11005H00-2xNPX-S1-HF

① ② ③ ④ ⑤ ⑥

- ① 1 Series No.
- ② H00 : Up Contact
- ③ No. of Circuits
- ④ X : Product color(A--Y)
A : Black
- ⑤ S1 : S1 Type
- ⑥ HF : Halogen Free

SPECIFICATIONS

Current Rating: 1A AC,DC
 Voltage Rating: 50V AC,DC
 Temperature Range: -25°C ~ +85°C
 Contact Resistance: 20mΩ Max.
 Insulation Resistance: 100MΩ Min.
 Withstanding Voltage: 250V AC/minute

Circuit No.	Dimensions		
	A	B	C
2x10P	9.00	11.00	13.65
2x15P	14.00	16.00	18.65



Part No.	Material	Color
11005H00-2xNP-S1-HF	Nylon 66,UL94V-0	Natural(White)
11005H00-2xNPA-S1-HF	Nylon 66,UL94V-0	Black

REV.	REVISION RECORD	DATE	GENERAL TOLERANCES	SCALE:	NAME	DATE
C0	新图面发行	13.04.24	LINEAR	1:1		
C1	变更公司名称	17.03.27	ANGLES	APPROVED		
			0.0 ± 0.25	DESIGNER		
			X° REF ± 6°	DRAWN		
			UNIT: MM			
			0.00 ± 0.15			
			X° ± 3°			
			SIZE: A4			
			0.000 ± 0.08			
			X° X' ± 2°			

JCTC ® 胜蓝科技股份有限公司 TERMINAL&CONNECTORS 东莞市富智达电子科技有限公司		PART. NO: 11005H00-2xNPX-S1-HF
TITLE: 88252 1.00mm PITCH HOUSING		DWG. NO: ENDE05
REV: C1	SHEET: 1/1	