

RoHS

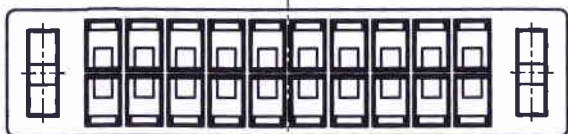
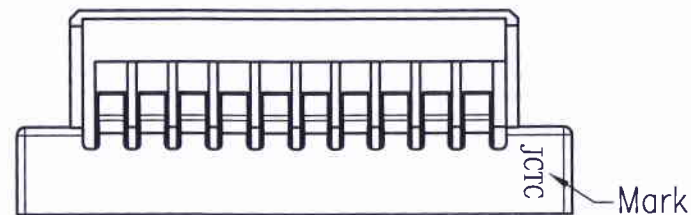
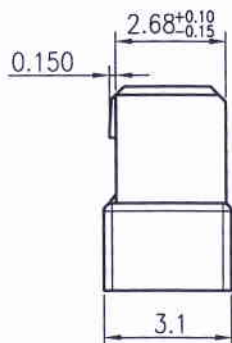
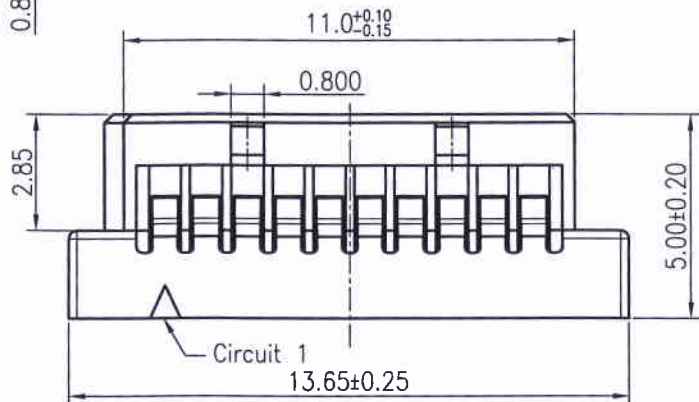
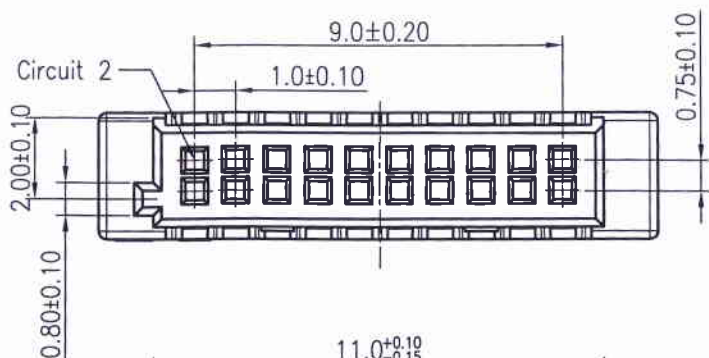
11005H00-2xNPX-S3-HF

SPECIFICATIONS

- ① ② ③ ④ ⑤ ⑥

Current Rating: 1A AC,DC
 Voltage Rating: 50V AC,DC
 Temperature Range: -25°C ~ +85°C
 Contact Resistance: 20mΩ Max.
 Insulation Resistance: 100MΩ Min.
 Withstanding Voltage: 250V AC/minute

- ① Series No.
 ② H00 : Up Contact
 ③ No. of Circuits
 ④ X : Product color(A--Y)
 A : Black
 ⑤ S3 : S3 Type
 ⑥ HF : Halogen Free



| | | |
|----------------------|------------------|-------|
| Part No. | Material | Color |
| 11005H00-2xNPA-S3-HF | Nylon 66,UL94V-0 | Black |

| REV. | REVISION RECORD | DATE | GENERAL TOLERANCES | | SCALE: | NAME | DATE |
|------|-----------------|----------|--------------------|-----------|----------|------|----------|
| A0 | 新图面发行 | 15.03.09 | LINEAR | ANGLES | 1:1 | | |
| A1 | 变更公司名称 | 17.03.27 | 0.0±0.25 | X° REF±6° | APPROVED | | |
| | | | 0.00±0.15 | X° ±3° | DESIGNER | 卢小锋 | 17.03.27 |
| | | | 0.000±0.08 | X° X'±2° | DRAWN | 卢小锋 | 17.03.27 |

| | | | |
|-----------|----|----------------------|-----|
| PART. NO: | | 11005H00-2xNPX-S3-HF | |
| DWG. NO: | | ENDE05 | |
| REV: | A1 | SHEET: | 1/1 |

TITLE: 88252 1.00mm PITCH HOUSING

JCTC® 胜蓝科技股份有限公司
 TERMINAL&CONNECTORS 东莞市富智达电子科技有限公司