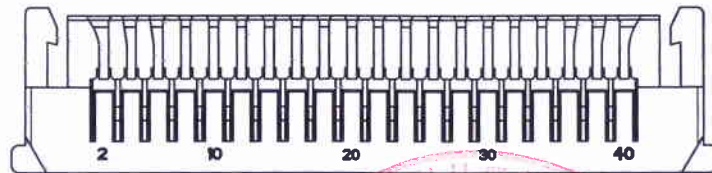
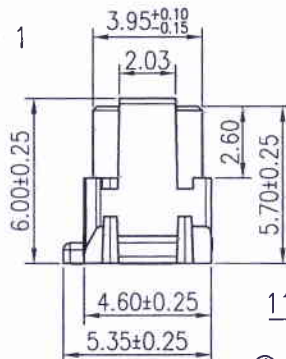
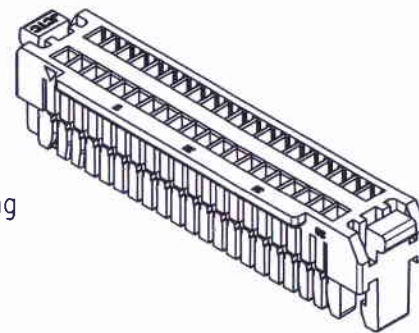


SPECIFICATIONS

Current Rating: 1A AC,DC
 Voltage Rating: 50V AC,DC
 Temperature Range: -25°C ~ +85°C
 Contact Resistance: 30mΩ Max.
 Insulation Resistance: 100MΩ Min.
 Withstanding Voltage: 500V AC/minute
 The product using material and processing must conform to the "WI-PZ-142"HSF technical standard control requirements



11006H00-2xNPX-L2-HF

① ② ③ ④ ⑤ ⑥

- ① Series No.
- ② H90 : Side Contact
H00 : Up Contact
- ③ No. of Circuits
- ④ A : Product color(A--Y)
Blank : Natural type
- ⑤ L2 : With Lock
- ⑥ HF : Halogen Free



Circuit No.	Dimensions			
	A	B	C	D
2x7P	6.00	8.65	12.70	9.40
2x10P	9.00	11.65	15.70	12.40
2x12P	11.00	13.65	17.70	14.40
2x15P	14.00	16.65	20.70	17.40
2x20P	19.00	21.65	25.70	22.40
2x25P	24.00	26.65	30.70	27.40

Part No.	Material	Color	Dimensions
11006H00-2xNP-L2	PBT,UL94V-0	White	2x10P 9.00 11.65 15.70 12.40
11006H00-2xNP-L2-HF	Nylon66,UL94V-0	White	2x12P 11.00 13.65 17.70 14.40
11006H00-2xNPA-L2	PBT,UL94V-0	Black	2x15P 14.00 16.65 20.70 17.40
11006H00-2xNPA-L2-HF	Nylon66,UL94V-0	Black	2x20P 19.00 21.65 25.70 22.40
			2x25P 24.00 26.65 30.70 27.40

REV.	REVISION RECORD	DATE	UNIT: MM	SIZE: A4	GENERAL TOLERANCES	SCALE: 1:1	NAME	DATE	TITLE:	PART. NO:	REV:	SHEET:
A0	新图面发行	19.10.22			LINEAR: 0.0±0.25 ANGLES: X° REF±6° 0.00±0.15 X° ±3° 0.000±0.08 X° X'±2°		张振坤	19.10.22	SHLDP DUAL ROW 1.00 PITCH HOUSING	11006H00-2xNPX-L2	A0	1/1

JCTC® 胜蓝科技股份有限公司
 TERMINAL&CONNECTORS 东莞市富智达电子科技有限公司

PART. NO: 11006H00-2xNPX-L2
 DWG. NO: ENDE05
 REV: A0 SHEET: 1/1