

Specifications

Current Rating: 0.8A AC, DC
 Voltage Rating: 50V AC, DC
 Temperature Range: -25° C ~ +85° C
 Contact Resistance: 20mΩ Max.
 Insulation Resistance: 100MΩ Min.
 Withstanding Voltage: 250V AC/minute
 Cap: Thermal Plasticity Resin, UL 94V-0
 The product using material and processing must conform to the "WI-PZ-142" HSP technical standard control requirements

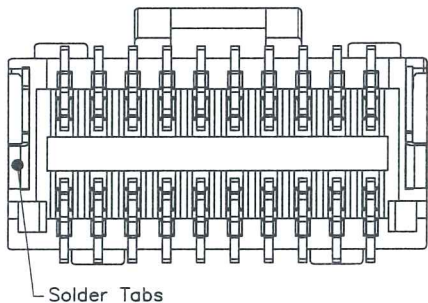
P. C. B LAYOUT
 GENERAL TOLERANCES: ±0.05

Circuits	Dimensions	
	A	B
2X6P	5.00	8.30
2X8P	7.00	10.30
2X9P	8.00	11.30
2X10P	9.00	12.30
2X15P	14.00	17.30
2X16P	15.00	18.30
2X18P	17.00	20.30
2X20P	19.00	22.30
2X25P	24.00	27.30



11007W00-2xNXP-2S-L-5GE-H1-HF-NK-R
 ① ② ③ ④ ⑤ ⑥ ⑦ ⑧ ⑨ ⑩ ⑪

- ① Series No.
- ② W90 : Side Contact
W00 : Up Contact
- ③ No. of Circuits
- ④ Color
- ⑤ 2S: SMT TYPE
- ⑥ L :With lock
- ⑦ Plating
- ⑧ H1 : PA4T
- ⑨ HF : Halogen Free
- ⑩ NK : No No Mark
- ⑪ R : Tape & Reel(With Cap)



Part No.	Insulator	Pin	Solder Tabs
11007W00-2xNP-2S-L-5AE-R	PA6T, UL94V-0/Natural	Phosphor Bronze/Gold-flash	Brass/Matter Tin
11007W00-2xNP-2S-L-5EE-R	PA6T, UL94V-0/Natural	Phosphor Bronze/5u"Au	Brass/Matter Tin
11007W00-2xNP-2S-L-5DE-R	PA6T, UL94V-0/Natural	Phosphor Bronze/4u"Au	Brass/Matter Tin
11007W00-2xNP-2S-L-5GE-R	PA6T, UL94V-0/Natural	Phosphor Bronze/15u"Au	Brass/Matter Tin
11007W00-2xNP-2S-L-5A-HF-R	LCP, UL94V-0/Natural	Phosphor Bronze/Gold-flash	Brass/Gold-flash
11007W00-2xNP-2S-L-5AE-HF-R	LCP, UL94V-0/Natural	Phosphor Bronze/Gold-flash	Brass/Matter Tin
11007W00-2xNP-2S-L-5GE-HF-R	LCP, UL94V-0/Natural	Phosphor Bronze/15u"Au	Brass/Matter Tin
11007W00-2xNP-2S-L-5AE-H1-HF-R	PA4T, UL94V-0/Natural	Phosphor Bronze/Gold-flash	Brass/Matter Tin
11007W00-2xNP-2S-L-5GE-H1-HF-R	PA4T, UL94V-0/Natural	Phosphor Bronze/15u"Au	Brass/Matter Tin
11007W00-2xNPA-2S-L-5GE-HF-R	LCP, UL94V-0/Black	Phosphor Bronze/15u"Au	Brass/Matter Tin
11007W00-2xNPA-2S-L-5AE-HF-R	LCP, UL94V-0/Black	Phosphor Bronze/Gold-flash	Brass/Matter Tin
11007W00-2xNP-2S-L-5AE-NK-R	PA6T, UL94V-0/Natural	Phosphor Bronze/Gold-flash	Brass/Matter Tin
11007W00-2xNP-2S-L-5GE-H1-HF-NK-R	PA4T, UL94V-0/Natural	Phosphor Bronze/Gold-flash	Brass/Matter Tin
11007W00-2xNP-2S-L-5E-H1-HF-NK-R	PA4T, UL94V-0/Natural	Phosphor Bronze/5u"Au	Brass/Gold-flash
11007W00-2xNP-2S-L-5E-H2-HF-NK-R	PA6T, UL94V-0/Natural	Phosphor Bronze/5u"Au	Brass/Gold-flash

REV.	REVISION RECORD	DATE	GENERAL TOLERANCES	SCALE:	NAME	DATE	PART. NO:	DWG. NO:	JCTC® TERMINAL&CONNECTORS
B0	WN1912020290	19. 12. 02	LINEAR	1:1			11007W00-2XNXP-2S-L-XX-XX	ENDE05	
B1	WN2005080085	20. 05. 08	0.0±0.25	APPROVED	Nelson	21.10.26			
B2	新增18P镀金4u"规格	21. 07. 28	0.00±0.15	DESIGNER	WU	21.10.26	TITLE: 1.00mm PITCH 180° SMT TYPE WAFER		
B3	新版6T无卤规格	21. 10. 26	0.000±0.08	DRAWN	QYX	21. 10. 26			REV: B3 SHEET: 1/2

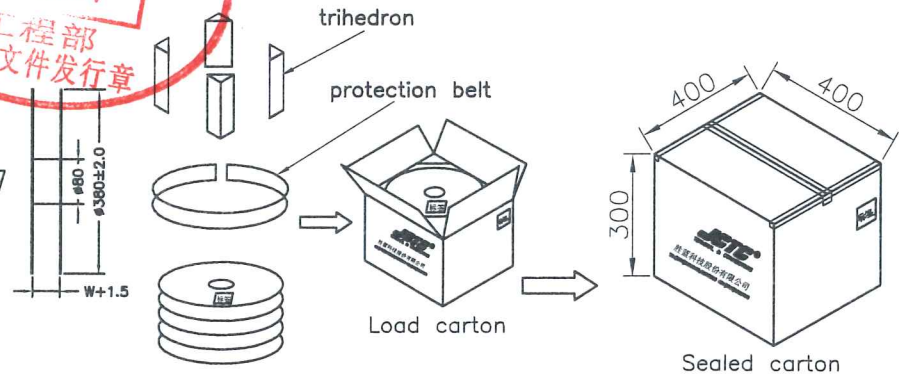
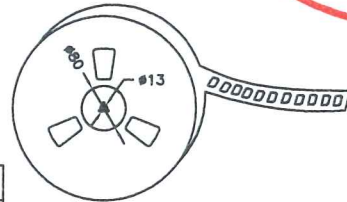
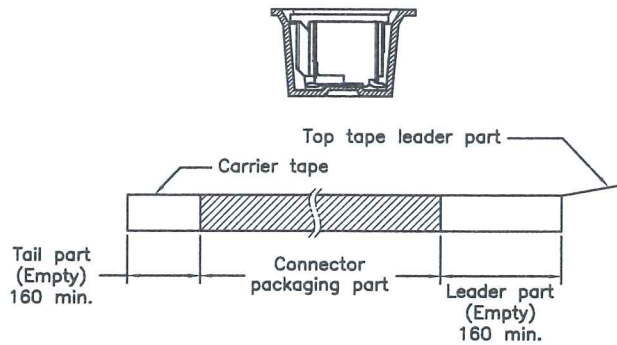
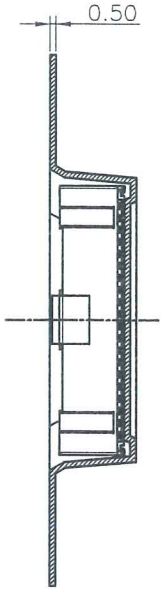
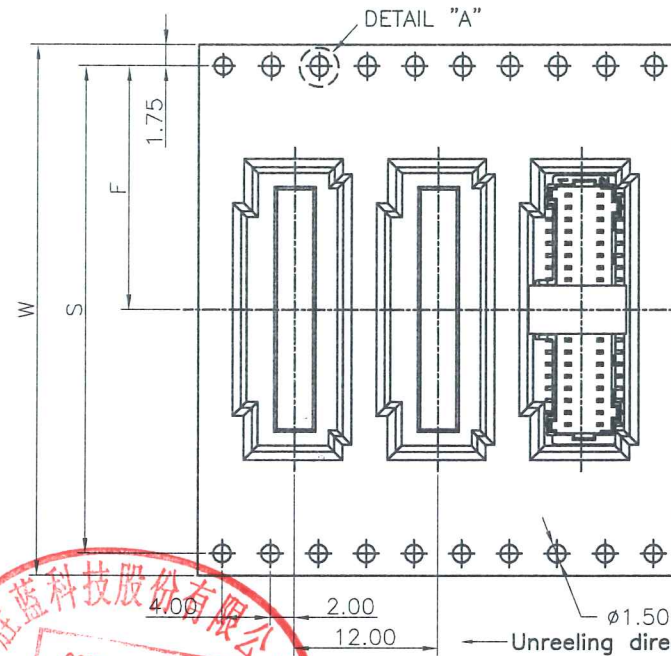
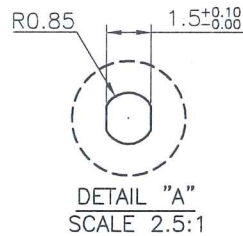
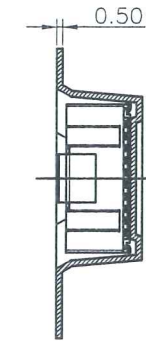
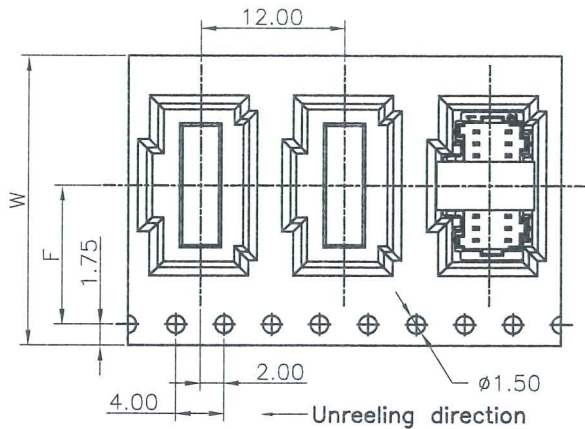
1 2 3 4 5 6 7 8

A

A

2X6~2X10 Contacts

2X15~2X25 Contacts



Number of Contacts	W±0.3	F±0.1	S±0.1	Pcs/Reel	Pcs/Box
2X6P~2x10P	24	11.50	--	1,000	1,000
2X15P~2X18P	32	14.20	28.40	1,000	8,000
2X20P~2X25P	44	20.20	40.40	1,000	6,000

H

H

REV.	REVISION RECORD	DATE	GENERAL TOLERANCES		SCALE	NAME	DATE	PART NO.	DWG NO.
B0	WN1912020290	19.12.02		LINEAR	1:1	Nelson	21.10.26	11007W00-2xNPX-2S-L-XX-XX	ENDE05
B1	WN2005080085	20.05.08		ANGLES	APPROVED				
B2	新增18P镀金4u"规格	21.07.28		0.0±0.25	X° REF±6°	WU	21.10.26	TITLE	1.00mm PITCH 180° SMT TYPE WAFER
B3	新版6T无卤规格	21.10.26		0.00±0.15	X° ±3°				
				0.000±0.08	X° X' ±2°	QYX	21.10.26		

JCTC®
TERMINAL&CONNECTORS

REV	B3	SHEET	2/2
-----	----	-------	-----

1 2 3 4 5 6 7 8