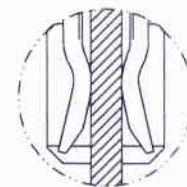
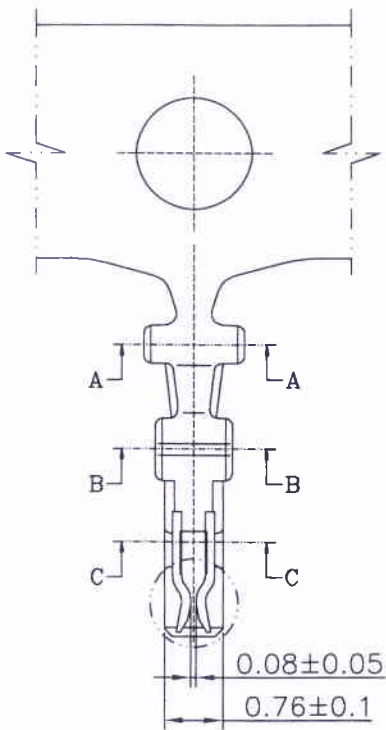


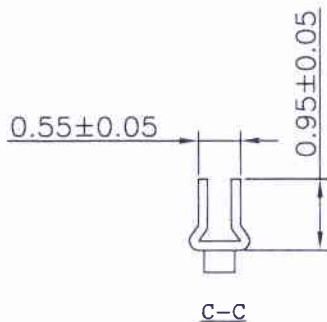
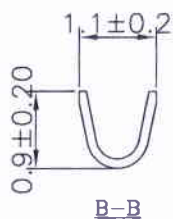
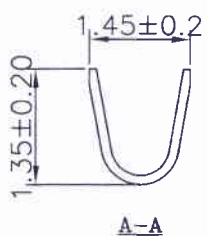
环保物料



"F" SC=2/1



"F" SC=2/1



11008TOP-2E-A-W3

P: Phosphor Bronze  
 2E: Plating After Stamping  
 W3: W3 Type

Part No	Wire Range	Insulation O.D.	Material	Finish	Qty/reel
11008TOP-2E-A-W3	AWG #28~#32	0.65~0.92mm	Phosphor Bronze	Tin-plated	20,000 PCS

REV.	REVISION RECORD	DATE	GENERAL TOLERANCES	SCALE:	NAME	DATE
A0	新图面发行	15.04.20	0.0±0.25	1:1	陈永发	16.05.09
A1	更新产品尺寸	16.05.09	0.00±0.15		任文君	16.05.09
			0.00±0.08		王国伟	16.05.09

**JCTC**®  苏州伟粟  东莞胜景  
 TERMINAL&CONNECTORS  东莞胜蓝

PART. NO:  
11008TOP-2E-A-W3

DRG. NO:  
ENDE05

TITLE:  
1.0mm Crimp Terminal

REV: A1 SHEET: 1/1