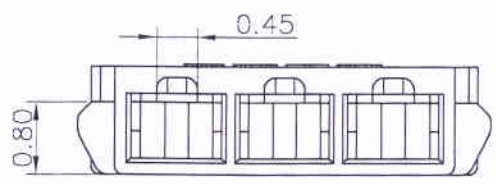
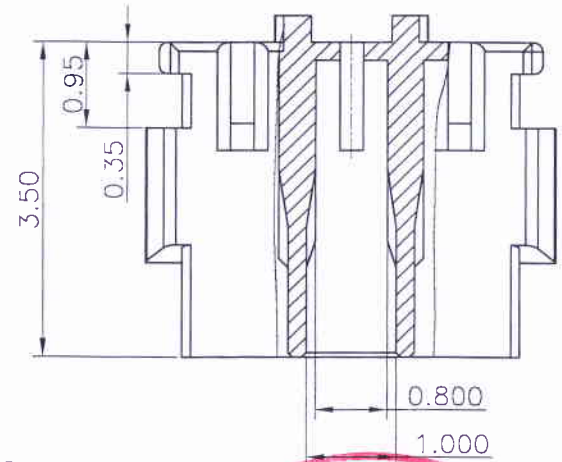
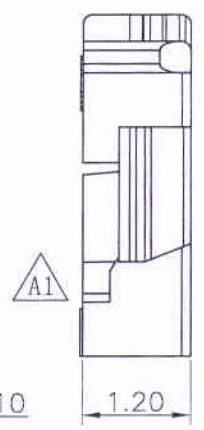
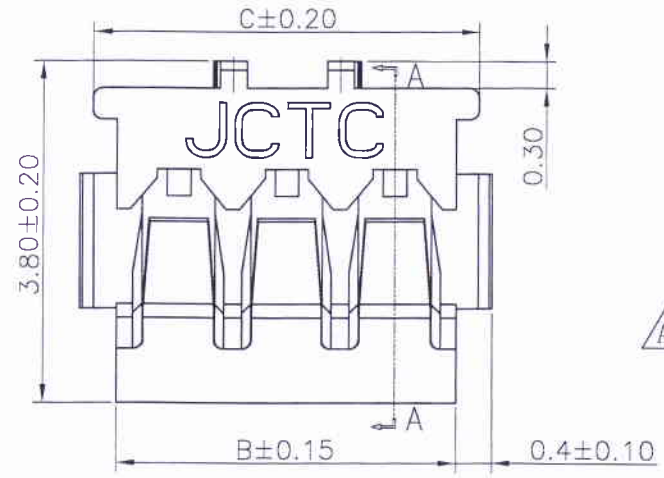
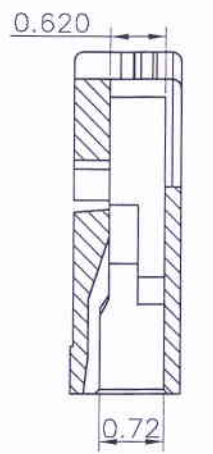
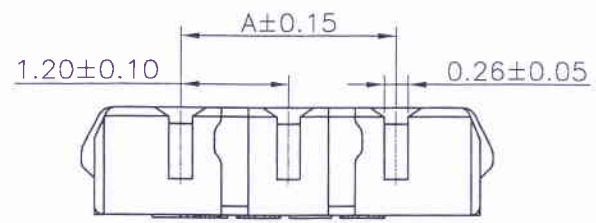
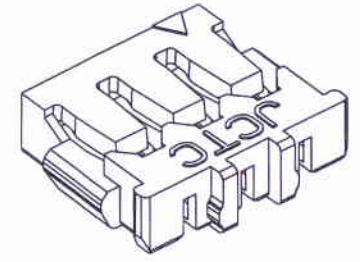


Specifications:  
 Rated Voltage : 50V AC/DC  
 Rated Current : 2.0A AC,DC  
 Withstand Voltage :500V AC/minute  
 Contact Resistance : 20mΩ(MAX.)  
 Insulation Resistance : 100MΩ(MIN.)  
 Temperature Range : -25°C~+85°C  
 The product using material and processing must conform to the "WI-PZ-142"HSF technical standard control requirements



- 11203H00-NPX-H1-HF  
 ① ② ③④ ⑤ ⑥
- ① Series No.
  - ② H90 : Side Contact  
H00 : Up Contact
  - ③ No. of Circuits
  - ④ X: Product color (A--Y)  
A: Black type
  - ⑤ H1: H1 Type
  - ⑥ HF: Halogen Free



Circuits	Dimensions		
	A	B	C
5P	4.80	6.15	6.86

Part No.	Material	Color
11203H00-NPA-H1-HF	Nylon 46,UL94V-0	Black

REV.	REVISION RECORD	DATE	GENERAL TOLERANCES	SCALE: 1:1	NAME	DATE	REVISION RECORD	
							LINEAR	ANGLES
A0	新版发行	19.05.20	0.0±0.25	X° REF±6°	郭正桃	20.08.20	①	产品结构隔栏加高与舌片平齐。
A1			0.00±0.15	X° ±3°	伍文聪	20.08.20	②	
			0.000±0.08	X° X'±2°	李占梅	20.08.20	③	

PART NO:	DWG. NO:
11203H00-NPX-H1-HF	ENDE05
TITLE:	
ACH 1.20mm Pitch W-T-3 Connector	

**JCTC**®  
 TERMINAL&CONNECTORS

REV: A1    SHEET: 1/1