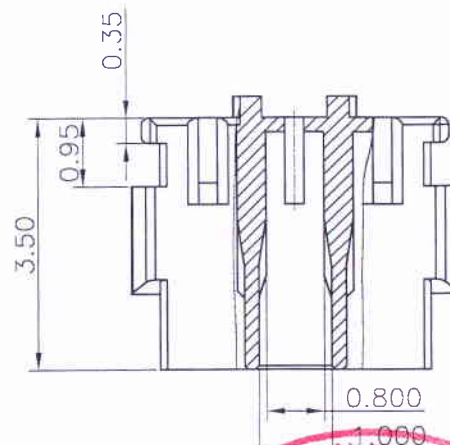
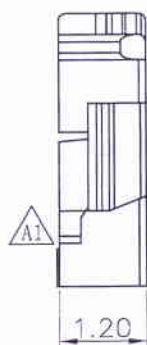
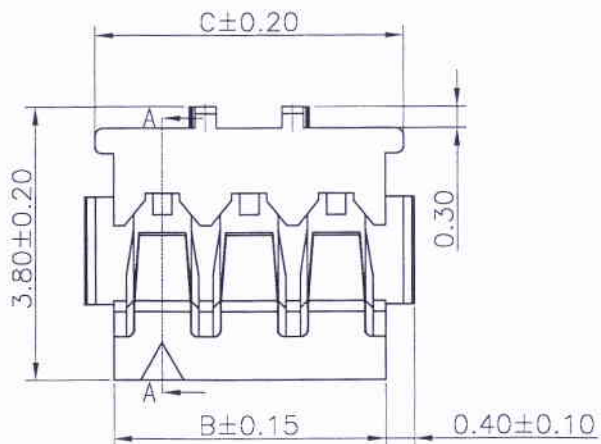


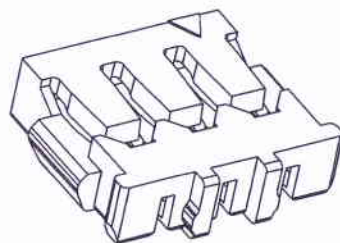
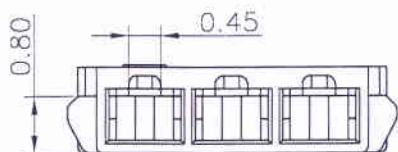
SECTION A-A

Specifications:
 Rated Voltage : 50V AC/DC
 Rated Current : 2.0A AC,DC
 Withstand Voltage :500V AC/minute
 Contact Resistance : 20mΩ(MAX.)
 Insulation Resistance : 100MΩ(MIN.)
 Temperature Range : -25°C~+85°C
 The product using material and processing must conform to the "WI-PZ-142" HSF technical standard control requirements



11203H00-NPX-HF-NK
 ① ② ③④ ⑤ ⑥

- ① Series No.
- ② H90 : Side Contact
H00 : Up Contact
- ③ No. of Circuits
- ④ X: Product color (A--Y)
A: Black type
- ⑤ HF: Halogen Free
- ⑥ NK: No Mark



Circuits	Dimensions		
	A	B	C
3P	2.40	3.75	4.26
4P	3.60	4.95	5.46
5P	4.80	6.15	6.86

Part No.	Material	Color
11203H00-NP-HF-NK	LCP, UL94V-0	Natural
11203H00-NPA-HF-NK	LCP, UL94V-0	Black

REV.	REVISION RECORD	DATE	GENERAL TOLERANCES		SCALE:	NAME	DATE
A0	新图面发行	19.03.05	 LINEAR: 0.0±0.25 ANGLES: X° REF±6° X° ±3°	 X° ±3°	1:1	郭正桃	20.08.20
A1	产品结构隔栏加高与舌片平齐。	20.08.20			UNIT: MM SIZE: A4	X° X'±2°	APPROVED
					DESIGNER	李占梅	20.08.20
					DRAWN		

PART NO:	11203H00-NPX-HF-NK
DWG NO:	ENDE05
TITLE:	1.20mm Pitch W-T-B Connector

JCTC®
 TERMINAL&CONNECTORS
 REV: A1 SHEET: 1/1