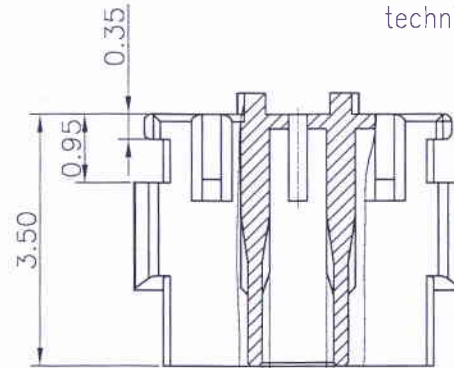
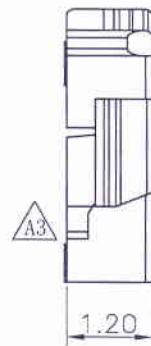
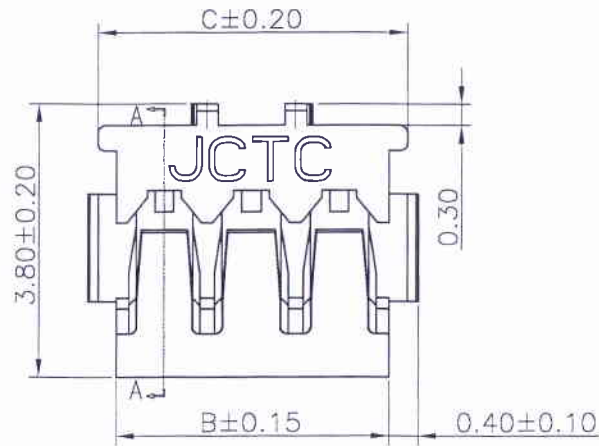


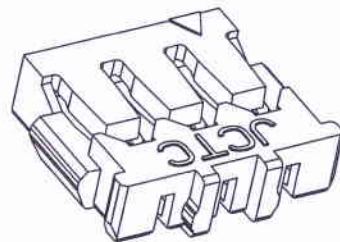
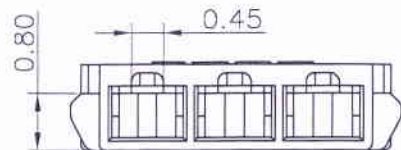
SECTION A-A

Specifications:  
 Rated Voltage : 50V AC/DC  
 Rated Current : 2.0A AC,DC  
 Withstand Voltage :500V AC/minute  
 Contact Resistance : 20mΩ(MAX.)  
 Insulation Resistance : 100MΩ(MIN.)  
 Temperature Range : -25°C~+85°C  
 The product using material and processing must conform to the "WI-PZ-142"HSF technical standard control requirements



11203H00-NPX-HF

- ① Series No.
- ② H90 : Side Contact  
H00 : Up Contact
- ③ No. of Circuits
- ④ X: Product color (A--Y)  
A: Black type
- ⑤ HF: Halogen Free



Circuits	Dimensions		
	A	B	C
3P	2.40	3.75	4.26
4P	3.60	4.95	5.46
5P	4.80	6.15	6.86

Part No.	Material	Color
11203H00-NP-HF	LCP, UL94V-0	Natural
11203H00-NPA-HF	LCP, UL94V-0	Black

REV.	REVISION RECORD	DATE	GENERAL TOLERANCES		SCALE:	NAME	DATE	PART. NO.:	DWG. NO.:	 <b>TERMINAL&amp;CONNECTORS</b>
A0	换图框发行	15.05.10	 LINEAR 0.0±0.25 X° REF±6°	ANGLESp3 X° ±3°	1:1	郭正桃	20.08.20	11203H00-NPX-HF	ENDE05	
A1	HN1505140078	15.05.26			APPROVED					
A2	更换公司名称	16.12.27	UNIT: MM SIZE: A4 0.00±0.15 0.090±0.08	X° X'±2°	DRAWN	李占梅	20.08.20	TITLE: ACH 1.20mm Pitch W-T-B Connector		
A3	产品结构隔栏加高与舌片平齐。	20.08.20								

REV: A3 SHEET: 1/1