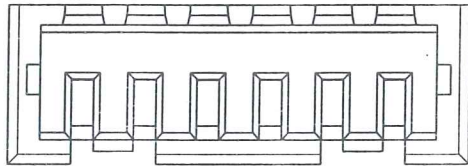
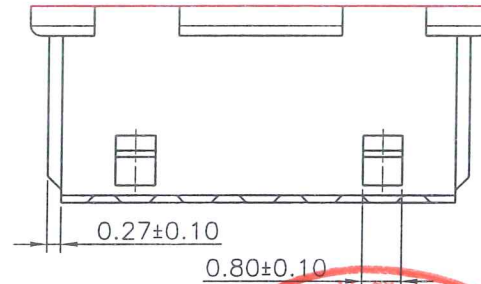
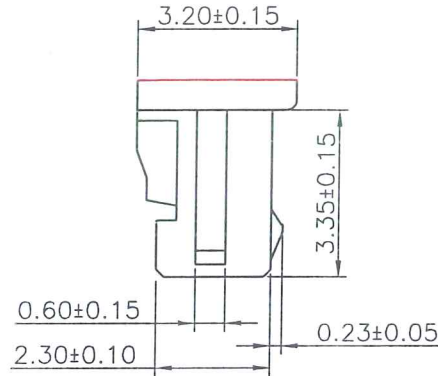
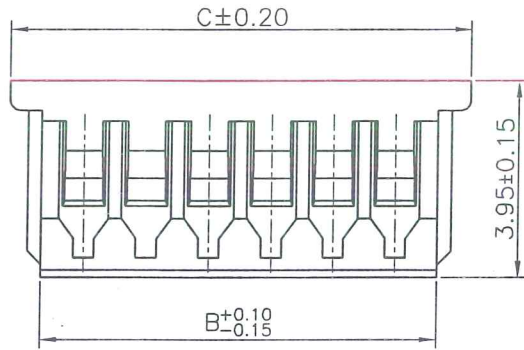
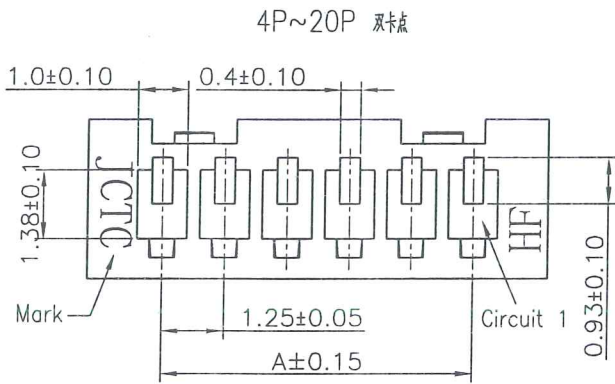
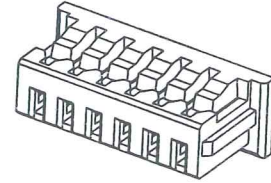


Specifications:
 Rated Voltage : 125V AC/DC
 Rated Current : 1A AC,DC
 Withstand Voltage : 250V AC/minute
 Contact Resistance : 20mΩ(MAX.)
 Insulation Resistance : 100MΩ(MIN.)
 Temperature Range : -40°C~+85°C
 The product using material and processing must conform to the "WI-PZ-142"HSF technical standard control requirements



11251H00-NPX-C-HF

① ② ③④ ⑤ ⑥

- ① Series No.
- ② H90 : Side Contact
H00 : Up Contact
- ③ No. of Circuits
- ④ X : Product color(A--Y)
Blank : Natural type

- ⑤ C :C type
Blank : Nylon 66
- ⑥ HF : Halogen Free



Part No	Dimensions		
	A	B	C
4P	3.75	5.50	6.75
5P	5.00	6.75	8.00
10P	11.25	13.00	14.25

Suitable for JCTC 11251 series terminal

Part No.	Material	Color
11251H00-NP-C-HF	Nylon 66,UL94V-0	本色

REV.	REVISION RECORD	DATE	UNIT: MM	GENERAL TOLERANCES	SCALE:	NAME	DATE	PART NO:	DWG. NO:	 JCTC® TERMINAL&CONNECTORS
AO	新图面发行	21.01.15	MM	LINEAR: 0.0±0.25	1:1	陈佳龙	21.04.08	11251H00-NPX-C-XX	ENDE05	
			MM	ANGLES: X° REF±6°	APPROVED	陈佳龙	21.04.08	TITLE: MX 1.25mmPITCH HOUSING		
			A4	0.00±0.15 X° ±3°	DESIGNER	陈佳龙	21.01.15			
			A4	0.000±0.08 X° X'±2°	DRAWN	陈佳龙	21.01.15			REV: A0 SHEET: 1/1