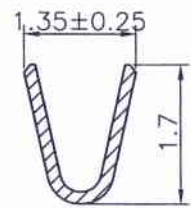
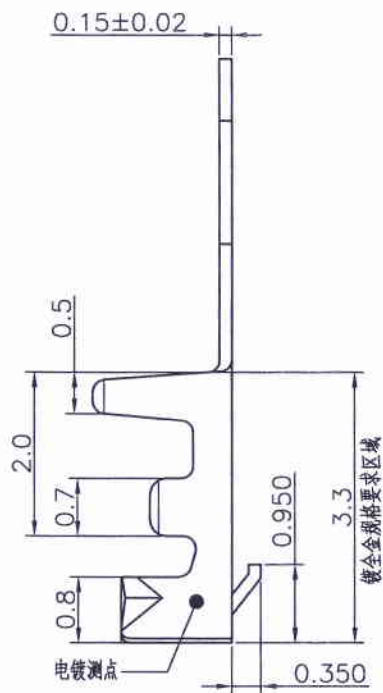
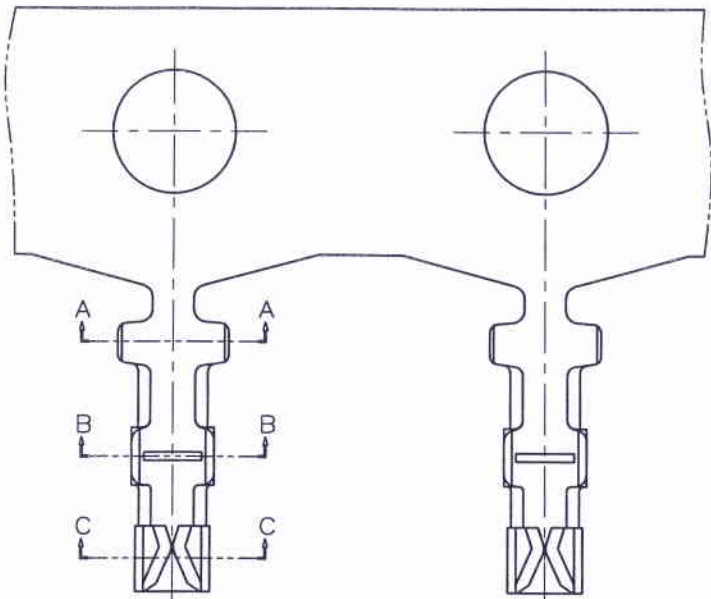
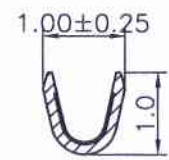


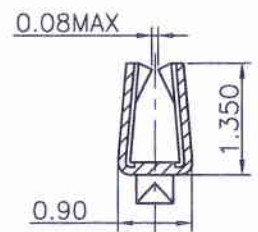
RoHS



Section A-A



Section B-B



Section C-C



Note: 11251TOP-XX-A-NK  
 NK: No Mark  
 表示: 无缝隙规格

Finish  
 5A--Gold-flash    5B--2u"    5C--3u"  
 5D--4u"    5E--5u"    5F--10u"  
 5G--15u"    5H--30u"    5I--50u"

Part No	Wire Range	Insulation O.D.	Material	Finish	Qty/reel
11251TOP-2E-A-XX	AWG#28 ~ #32	1.00mm(max)	Phosphor Bronze	Tin-plated	15,000 pcs
11251TOP-5X-A-XX	AWG#28 ~ #32	1.00mm(max)	Phosphor Bronze	Gold-plated overall	15,000 pcs

REV.	REVISION RECORD	DATE	GENERAL TOLERANCES	SCALE:	NAME	DATE	PART. NO:
C0	换图框发行	09.12.21	0.0±0.25	X° REF±6°	APPROVED		DWG. NO:
C1	TN1010120097	10.10.12	0.00±0.15	X° ±3°	DESIGNER	17.03.20	ENDE05
C2	TR1105310082	11.05.31	0.000±0.08	X° X'±2°	DRAWN	邓群庄	REV: C3
C3	更换公司名称	16.12.27				16.12.27	SHEET: 1/1

TERMINAL&CONNECTORS 东莞市富智达电子科技有限公司

TITLE: MX1.25 端子