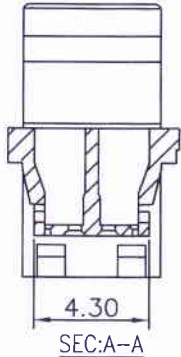
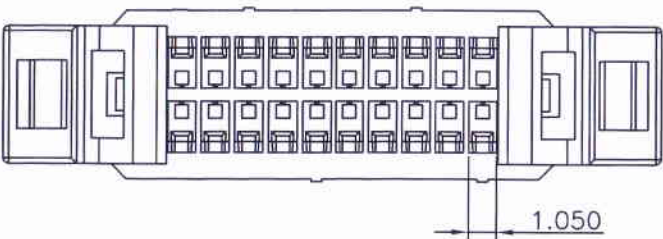


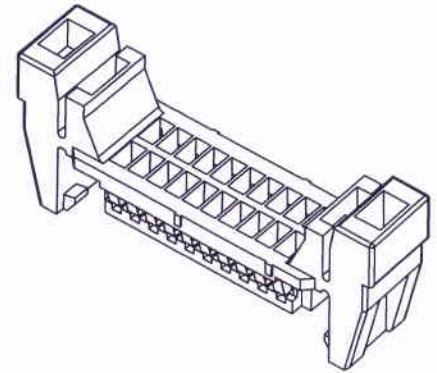
1 2 3 4 5 6 7 8

A



11252H00-2xNPX-L-HF
① ② ③ ④ ⑤ ⑥

- ① Series No.
- ② H90 : Side Contact
H00 : Up Contact
- ③ No. of Circuits
- ④ X : Product color(A--Y)
A : Black type
- ⑤ L: Lock TYPE
- ⑥ HF: Halogen Free



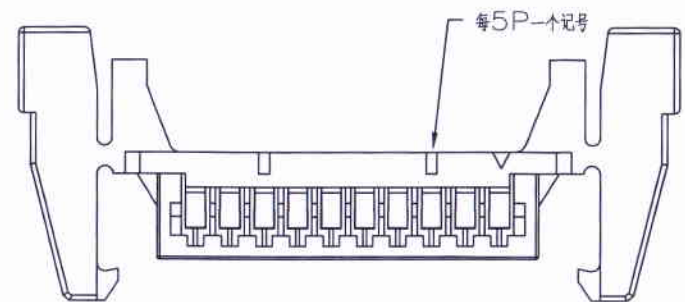
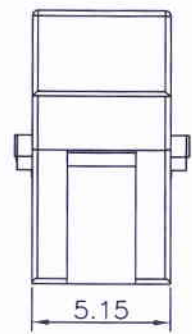
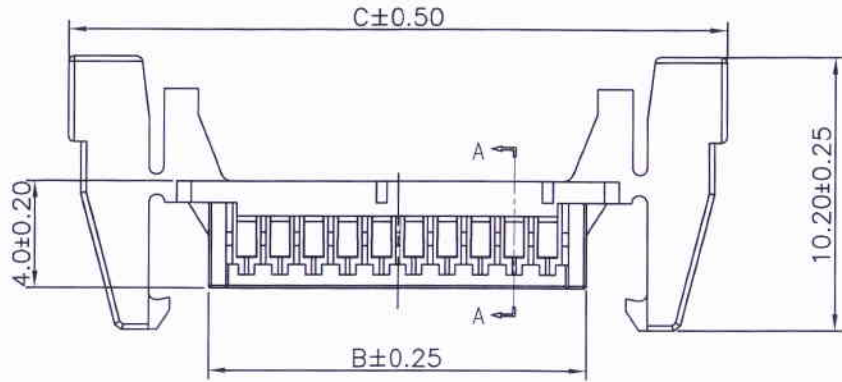
A

B

B

C

C

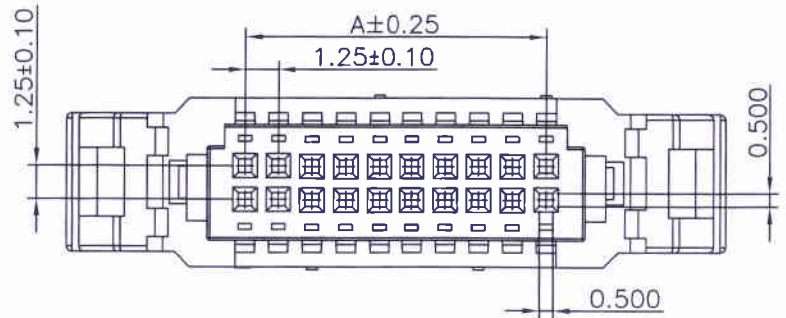


D

D

E

E



Specifications:
 Rated Voltage : 100V AC/DC
 Rated Current : 1A AC,DC
 Withstand Voltage : 500V AC/minute
 Contact Resistance : 20mΩ(MAX.)
 Insulation Resistance : 500MΩ(MIN.)
 Temperature Range : -25°C~+85°C
 The product using material and processing must conform to the "WI-PZ-142"HSF technical standard control requirements



Circuit	Dimensions		
	A	B	C
2x5P	5.00	7.85	18.25
2x10P	11.25	14.10	24.50
2x15P	17.50	20.35	30.75
2x20P	23.75	26.60	37.00

Part No.	Material	Color
11252H00-2xNP-L-HF	Nylon 66,UL94V-0	Natural(White)
11252H00-2xNPA-L-HF	Nylon 66,UL94V-0	Black

G

G

H

H

REV.	REVISION RECORD	DATE	GENERAL TOLERANCES		SCALE:	NAME	DATE	PART. NO.:	DWG. NO.:
A0	新图面发行	17.06.22	L: 0.0±0.25	ANGLES: X° REF±6°	1:1	张振坤	20.09.17	11252H00-2xNPX-L-HF	ENDE05
A1	HN2009170257	17.06.22	L: 0.00±0.15	ANGLES: X° ±3°	APPROVED:	张振坤	20.09.17	TITLE:	
			L: 0.000±0.08	ANGLES: X° X' ±2°	DESIGNER:	张振坤	20.09.17	1.25mm PITCH HOUSING -- LOCK TYPE	
			UNIT: MM		DRAWN:	张振坤	20.09.17	(有拉环型)	
			SIZE: A4						

JCTC®
 TERMINAL&CONNECTORS
 REV: A1 SHEET: 1/1

1 2 3 4 5 6 7 8