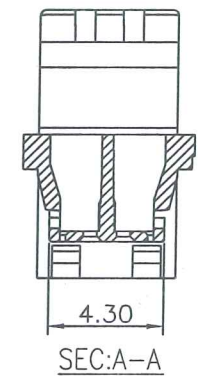
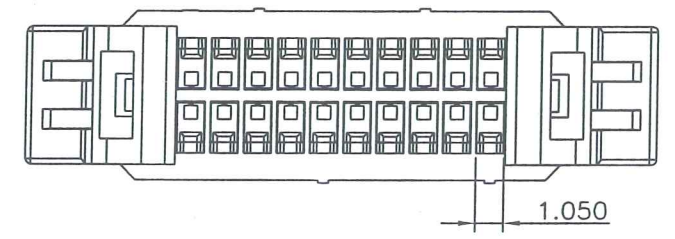
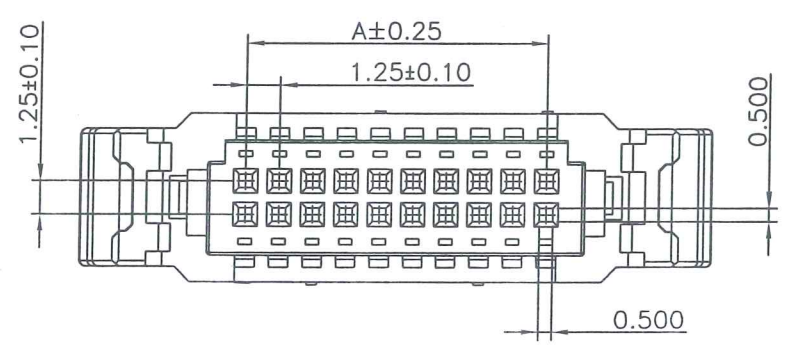
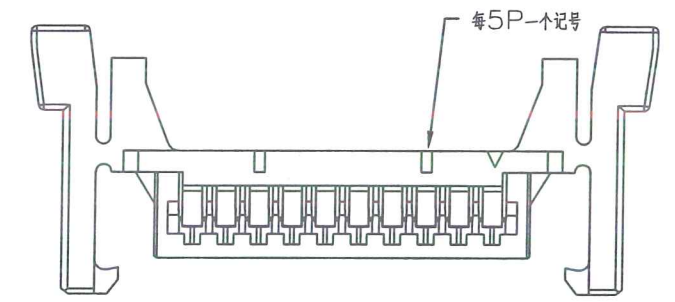
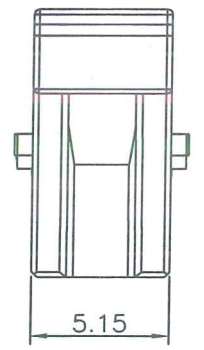
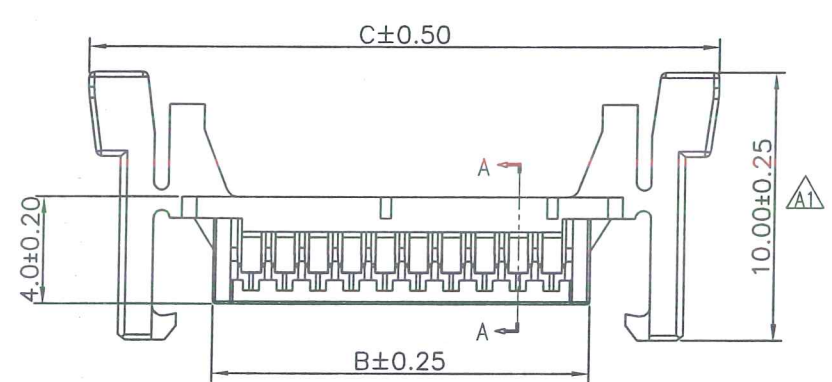


1 2 3 4 5 6 7 8

A  
B  
C  
D  
E  
F  
G  
H



11252H00-2xNPX-L1-HF  
 ① ② ③ ④ ⑤ ⑥  
 ① Series No.  
 ② H90 : Side Contact  
 H00 : Up Contact  
 ③ No. of Circuits  
 ④ X : Product color(A--Y)  
 A : Black type  
 ⑤ L1: Lock TYPE  
 ⑥ HF: Halogen Free



Specifications:  
 Rated Voltage : 100V AC/DC  
 Rated Current : 1A AC,DC  
 Withstand Voltage : 500V AC/minute  
 Contact Resistance : 20mΩ(MAX.)  
 Insulation Resistance : 500MΩ(MIN.)  
 Temperature Range : -25°C~+85°C  
 The product using material and processing must conform to the "WI-PZ-142"HSF technical standard control requirements



Circuit	Dimensions		
	A	B	C
2x5P	5.00	7.85	17.30
2x10P	11.25	14.10	23.55
2x15P	17.50	20.35	29.80
2x20P	23.75	26.60	36.05

Part No.	Material	Color
11252H00-2xNP-L1-HF	Nylon 66,UL94V-0	Natural(White)
11252H00-2xNPA-L1-HF	Nylon 66,UL94V-0	Black

REV.	REVISION RECORD	DATE	UNIT	GENERAL TOLERANCES	SCALE:	NAME	DATE	PART. NO.:	DWG. NO.:	JCTC® TERMINAL&CONNECTORS
A0	新图面发行	17.05.28	MM	LINEAR	1:1	Nelson	21.05.13	11252H00-2xNPX-L1-HF	ENDE05	
A1	依HR1804240067设变	18.04.24		0.0±0.25	ANGLES					APPROVED
A2	HN2009170257	20.09.17		0.00±0.15	X° REF±6°					DESIGNER
A3	HN2105130122	21.05.13		0.000±0.08	X° ±3°					DRAWN
								TITLE:	1.25mm PITCH HOUSING -- LOCK TYPE (无拉环)	
								REV:	A3	SHEET: 1/1

1 2 3 4 5 6 7 8