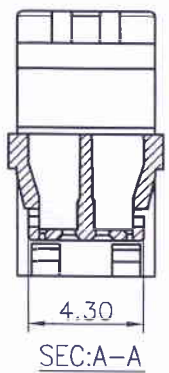
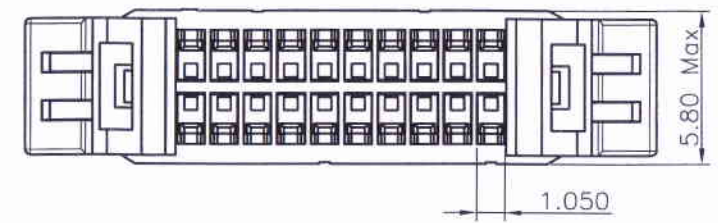
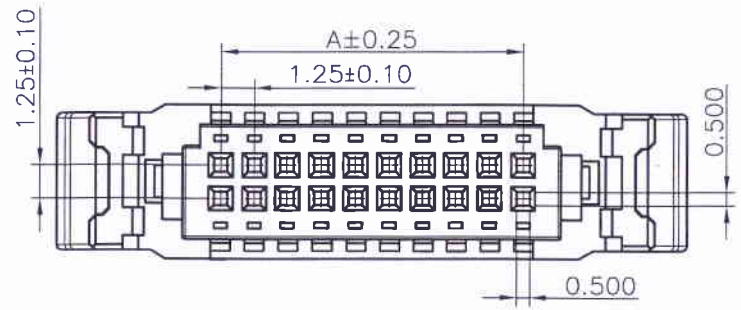
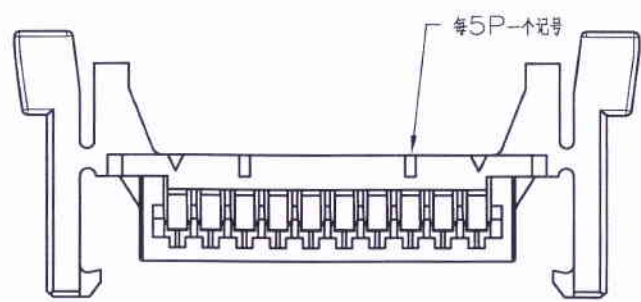
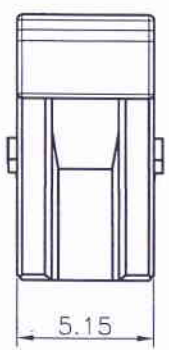
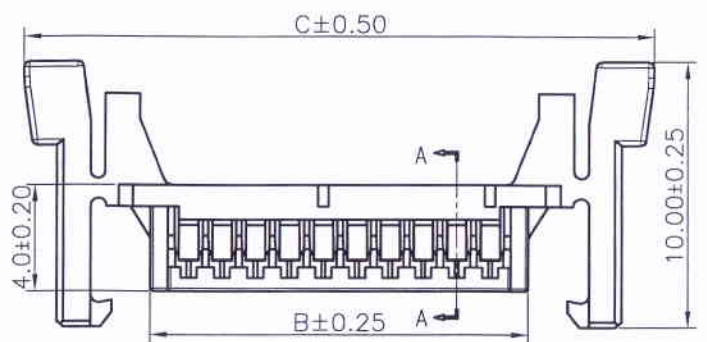


1 2 3 4 5 6 7 8



11252H00-2xNPX-L3-HF  
 ① ② ③ ④ ⑤ ⑥  
 ① Series No.  
 ② H90 : Side Contact  
 H00 : Up Contact  
 ③ No. of Circuits  
 ④ X : Product color(A--Y)  
 A : Black type  
 ⑤ L3: Lock TYPE  
 ⑥ HF: Halogen Free



Specifications:  
 Rated Voltage : 100V AC/DC  
 Rated Current : 1A AC,DC  
 Withstand Voltage : 500V AC/minute  
 Contact Resistance : 20mΩ(MAX.)  
 Insulation Resistance : 500MΩ(MIN.)  
 Temperature Range : -25°C~+85°C  
 The product using material and processing must conform to the "WI-PZ-142"HSF technical standard control requirements



Circuit	Dimensions		
	A	B	C
2x5P	5.00	7.85	17.30
2x10P	11.25	14.10	23.55
2x15P	17.50	20.35	29.80
2x20P	23.75	26.60	36.05

Part No.	Material	Color
11252H00-2xNP-L3-HF	Nylon 66,UL94V-0	Natural(White)
11252H00-2xNPA-L3-HF	Nylon 66,UL94V-0	Black

REV.	REVISION RECORD	DATE	GENERAL TOLERANCES	SCALE:	NAME	DATE	PART. NO: 11252H00-2xNPX-L3-HF
A0	新图面发行	19.09.11	LINEAR 0.0±0.25	1:1	APPROVED		
			ANGLES 0.00±0.15		DESIGNER	19.12.26	REV: A0
			UNIT: MM SIZE: A4		DRAWN	伍文聪	SHEET: 1/1
			0.00±0.08				

**JCTC** 胜蓝科技股份有限公司  
 TERMINAL&CONNECTORS 东莞市富智达电子科技有限公司  
 TITLE: 1.25mm PITCH HOUSING -- LOCK TYPE 无带环/窄型

1 2 3 4 5 6 7 8