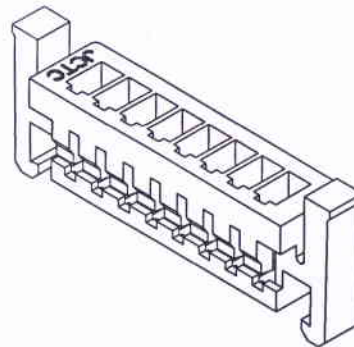
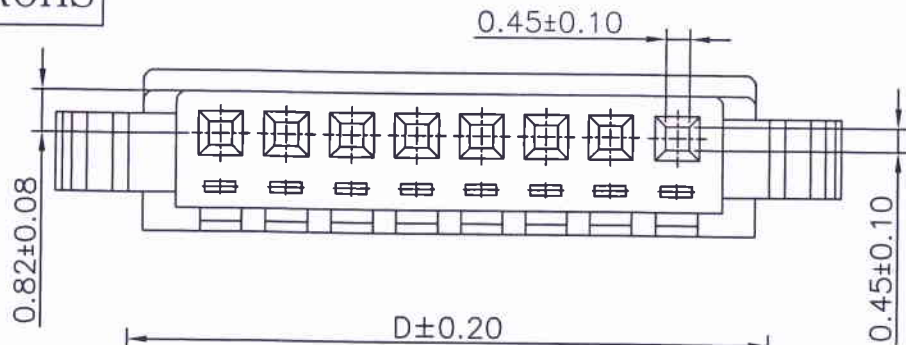
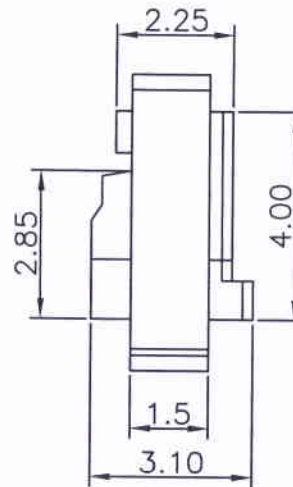
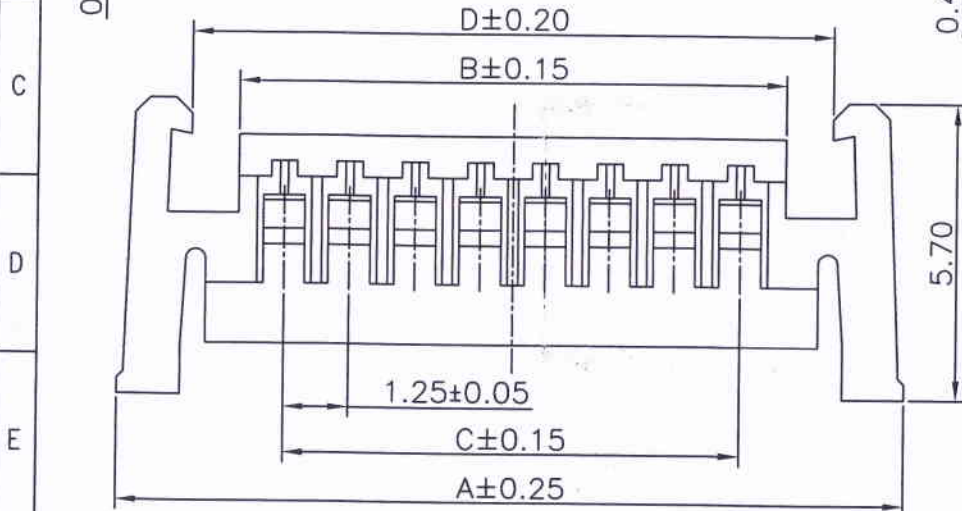


RoHS



Specifications:  
 Rated Voltage : 125V AC/DC  
 Rated Current : 1A AC,DC  
 Withstand Voltage : 500V AC/minute  
 Contact Resistance : 20mΩ(MAX.)  
 Insulation Resistance : 800MΩ(MIN.)  
 Temperature Range : -25°C~+85°C



Dimensional Ordering Information:

Circuits Part No	Dimensions			
	A	B	C	D
2P	7.60	3.00		4.80
3P	8.85	4.25	2.50	6.05
4P	10.10	5.50	3.75	7.30
5P	11.35	6.75	5.00	8.55
6P	12.60	8.00	6.25	9.80
7P	13.85	9.25	7.50	11.05
8P	15.10	10.50	8.75	12.30
9P	16.35	11.75	10.00	13.55
10P	17.60	13.00	11.25	14.80
11P	18.85	14.25	12.50	16.05
12P	20.10	15.50	13.75	17.30
13P	21.35	16.75	15.00	18.55
14P	22.60	18.00	16.25	19.80
15P	23.85	19.25	17.50	21.05

11252H00-NP-L-HF-NK

① ② ③ ④ ⑤ ⑥

- ① Series No.
- ② H90 : Side Contact  
H00 : Up Contact
- ③ No. of Circuits
- ④ L : Mount type
- ⑤ HF: Halogen Free
- ⑥ NK: No Mark



Suitable for JCTC 11252 series terminal

Part No.	Material	Color
11252H00-NP-L-HF-NK	Nylon 66,UL94V-0	无卤本色

REV.	REVISION RECORD	DATE	GENERAL TOLERANCES	SCALE:	NAME	DATE
A0	新图面发行	16.10.25	LINEAR 0.0±0.25	1:1		
			ANGLES X° REF±6°	APPROVED		
			UNIT: MM 0.00±0.15	DESIGNER		
			SIZE: A4 0.000±0.08	DRAWN	邓群庄	16.10.25

**JCTC**® 胜蓝科技股份有限公司  
 TERMINAL&CONNECTORS 东莞市富智达电子科技有限公司  
 TITLE: DF13 1.25mm PITCH HOUSING

PART NO:	11252H00-NPX-L-HF-NK
DWG NO:	ENDE05
REV:	A0
SHEET:	1/1