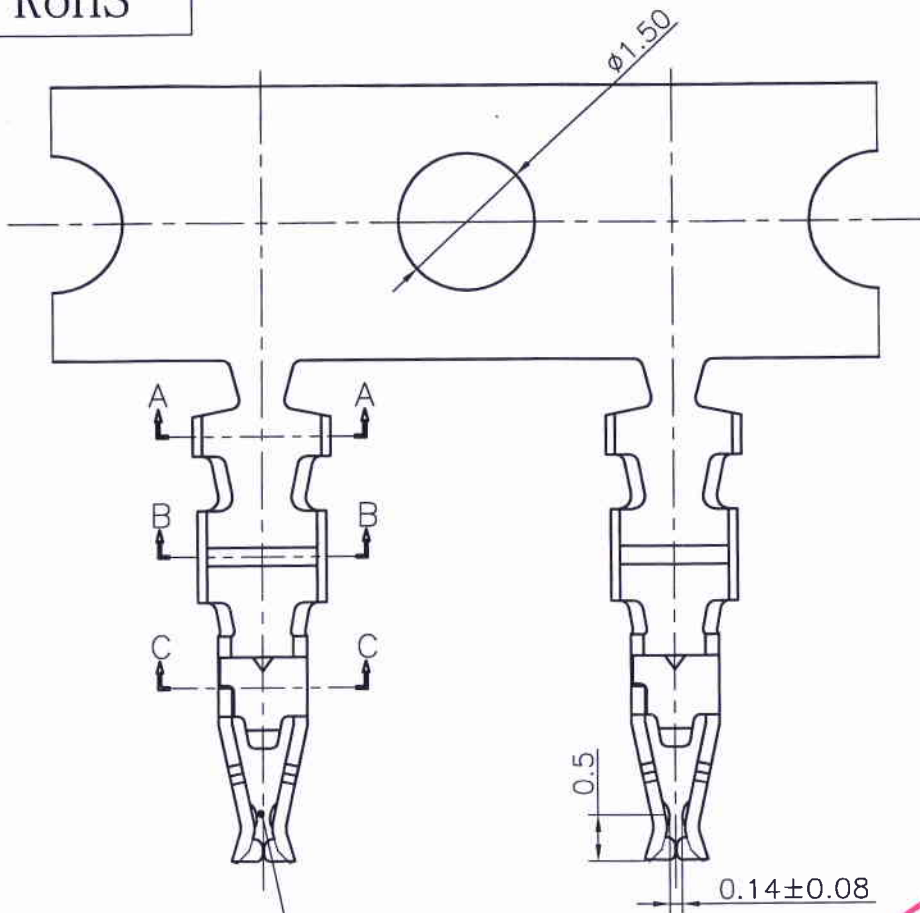
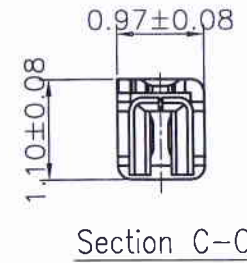
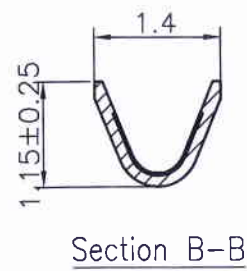
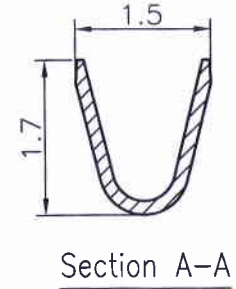
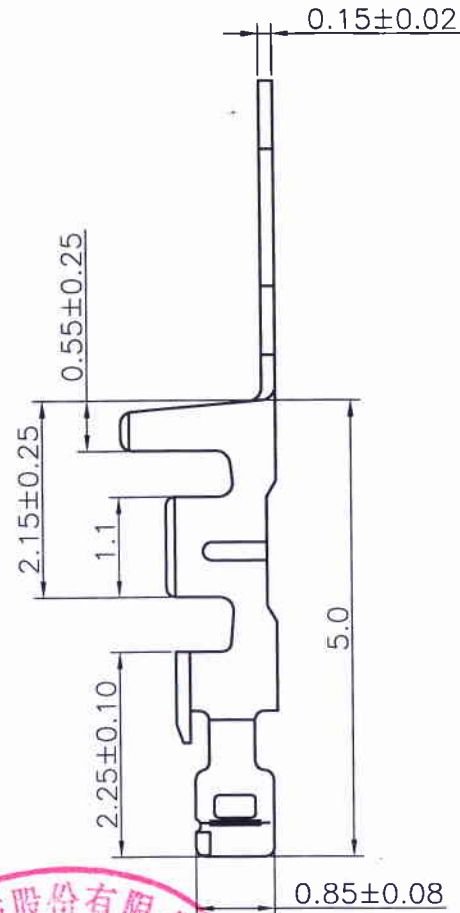


RoHS



PIN内测为电镀膜厚测点



Part No	Wire Range	Insulation O.D.	Material	Finish	Qty/reel
11253TOP-2-NK-S1	AWG#28~#32	0.90mm(max)	Phosphor Bronze	Ni 50u"Min. ,Tin-plated 75u"	20,000 pcs

REV.	REVISION RECORD	DATE	GENERAL TOLERANCES	SCALE: 1:1	NAME	DATE	PART. NO: 11253TOP-2-NK-S1
C0	新图面发行	14.05.13	0.0±0.25	X° REF±6°	[Signature]	17.01.13	DWG. NO: ENDE05
C1	变更公司名称	17.01.13	0.00±0.15	X° ±3°	[Signature]	17.01.13	REV: C1 SHEET: 1/1
			UNIT: MM	0.00±0.15	X° ±3°		TITLE: DF14 端子
			SIZE: A4	0.000±0.08	X° X'±2°	DRAWN 邓群庄	

1 2 3 4 5 6 7 8