

1 2 3 4 5 6 7 8

A

B

C

D

E

F

G

H

A

B

C

D

E

F

G

H

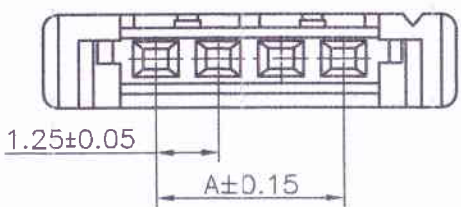
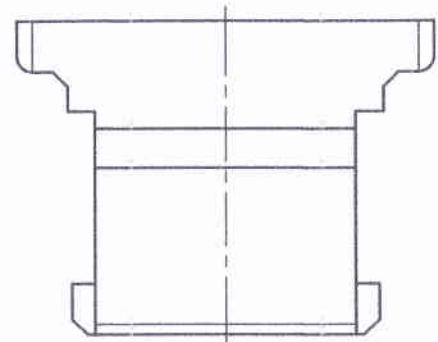
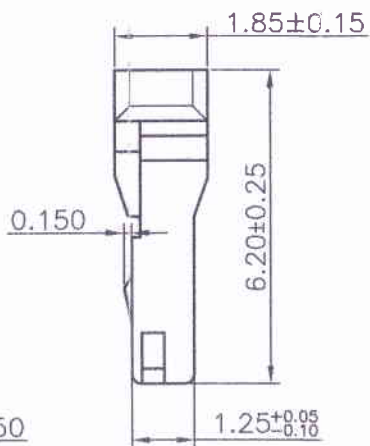
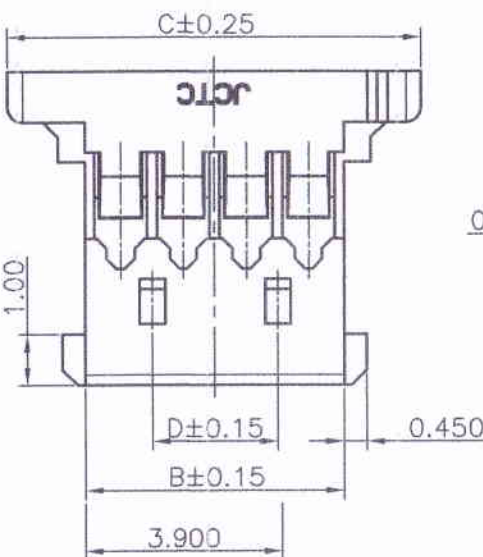
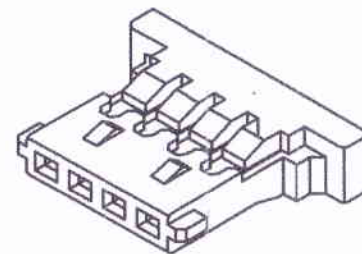
11255H00--NPX--HF--S3

① ② ③④ ⑤ ⑥

- ① Series No.
- ② H90 : Side Contact  
H00 : Up Contact
- ③ No. of Circuits
- ④ X : Product color(A--Y)  
Blank : Natural type
- ⑤ HF : Halogen Free
- ⑥ S3 : S3 Type

Specifications:

Rated Voltage : 125V AC/DC  
 Rated Current : 1A AC,DC  
 Withstand Voltage : 250V AC/minute  
 Contact Resistance : 20mΩ(MAX.)  
 Insulation Resistance : 100MΩ(MIN.)  
 Temperature Range : -25°C~+85°C  
 The product using material and processing must conform to the "WI-PZ-142"HSF technical standard control requirements



Circuits Part No	Dimensions			
	A	B	C	D
2P	1.25	2.65	5.72	
3P	2.50	3.90	6.97	
4P	3.75	5.15	8.22	2.50

Suitable for JCTC 11255 series terminal

Part No.	Material	Color
11255H00--NP--HF--S3	Nylon 66,UL 94V-0	本色无齿

REV.	REVISION RECORD	DATE	UNIT: MM	SIZE: A4	GENERAL TOLERANCES		SCALE: 1:1	NAME	DATE	JCTC® 胜蓝科技股份有限公司 TERMINAL&CONNECTORS 东莞市富智达电子科技有限公司	PART NO:	
					LINEAR	ANGLES					11255H00--NPX--HF--S3	
A0	新版图面发行	17.08.14	0.00±0.15	A4	0.00±0.15	X° ±3°	APPROVED	伍文聪	17.11.10	TERMINAL&CONNECTORS 东莞市富智达电子科技有限公司	DWG. NO: ENDE05	
			0.00±0.15		0.00±0.15	X° ±3°	DESIGNER	伍文聪	17.11.10	TITLE: 51146 1.25mm PITCH HOUSING	REV: A0	SHEET: 1/1
			0.00±0.15		0.000±0.08	X° X'±2°	DRAWN	伍文聪	17.08.14			

1 2 3 4 5 6 7 8