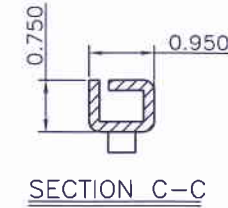
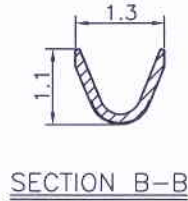
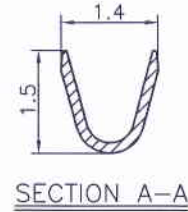
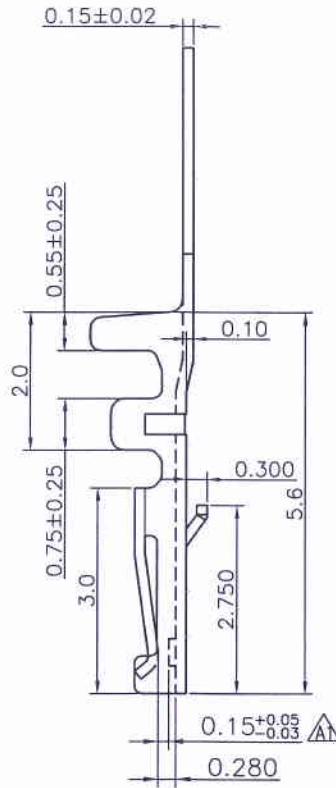
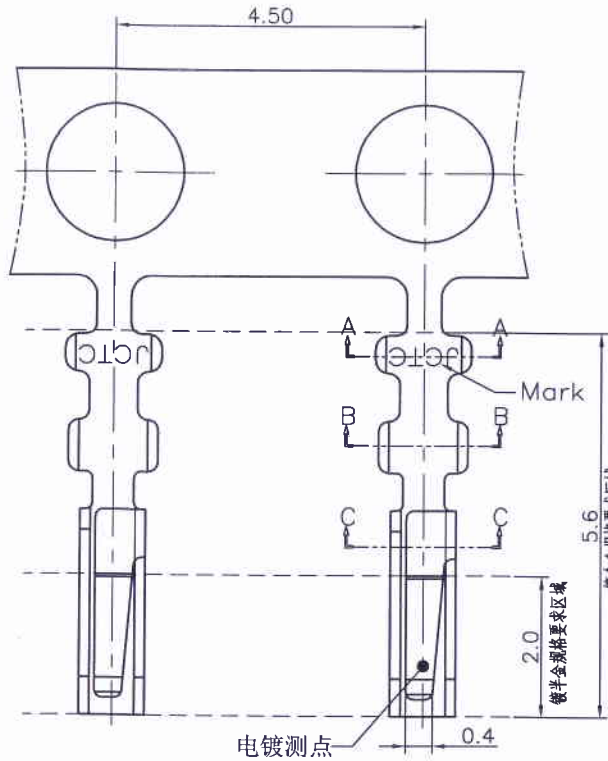


RoHS



Note: 11255TOP-XX-A-XX

空焊 Mark  
NK: NO Mark

Finish		
5A--Gold-flash	5B--2u"	5C--3u"
5D--4u"	5E--5u"	5F--10u"
5G--15u"	5H--30u"	5I--50u"
0A--Gold-flash	0B--2u"	0C--3u"
0D--4u"	0E--5u"	0F--10u"
0G--15u"	0H--30u"	0I--50u"



Part No	Wire Range	Insulation O.D.	Material	Finish	Qty/reel
11255TOP-2E-A-XX	AWG#28 ~ #32	1.00mm(max)	Phosphor Bronze	Tin-plated	20,000 pcs
11255TOP-5X-A-XX	AWG#28 ~ #32	1.00mm(max)	Phosphor Bronze	Gold-plated overall	20,000 pcs
11255TOP-0X-A-XX	AWG#28 ~ #32	1.00mm(max)	Phosphor Bronze	Gold-plated contact area	20,000 pcs

REV.	REVISION RECORD	DATE	GENERAL TOLERANCES		SCALE: 1:1	NAME	DATE
			LINEAR	ANGLES			
A0	新图面发行	15.03.12	0.0±0.25	X° REF±6°	APPROVED	[Signature]	17.03.14
A1	整理图面	15.06.17			DESIGNER		
A2	TN1604070040	16.04.07			DRAWN		
A3	变更公司名称	17.03.14	UNIT: MM	0.00±0.15	X° ±3°	邓群庄	17.03.14
			SIZE: A4	0.00±0.08	X° X'±2°		

<b>JCTC</b> 胜蓝科技股份有限公司 TERMINAL&CONNECTORS 东莞市富智达电子科技有限公司	PART. NO: 11255TOP-XX-A-XX
	DWG. NO: ENDE05
	REV: A3 SHEET: 1/1

TITLE: MOLEX51146端子