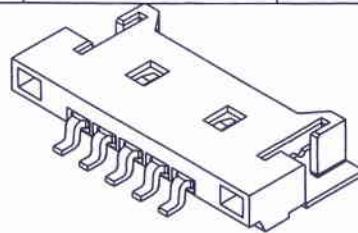
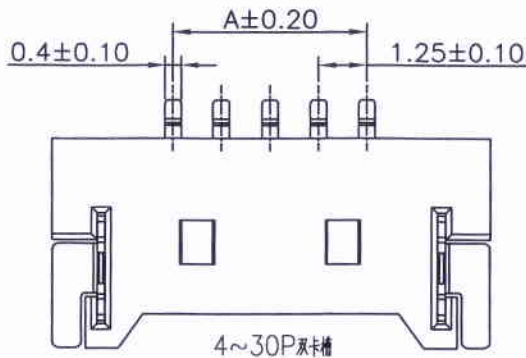
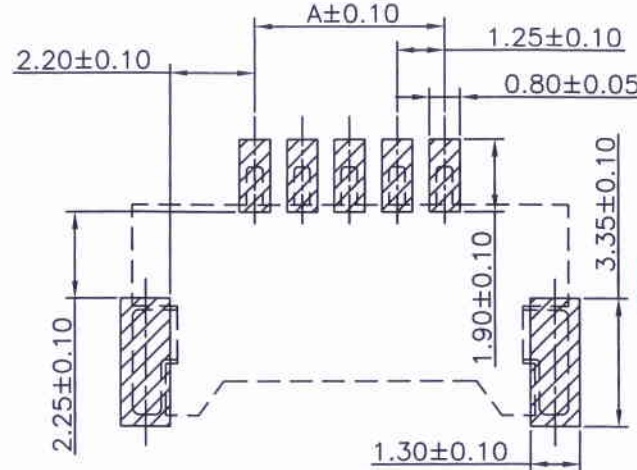
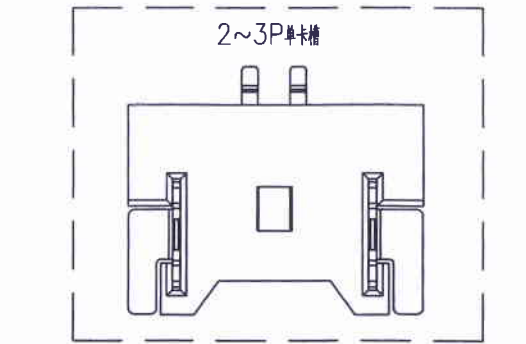


11255W90 SERIES



SPECIFICATIONS
 Current Rating: 1A AC,DC
 Voltage Rating: 125V AC,DC
 Temperature Range: -25°C ~ +85°C
 Contact Resistance: 20mΩ Max.
 Insulation Resistance: 100MΩ Min.
 Withstanding Voltage: 500V AC/minute

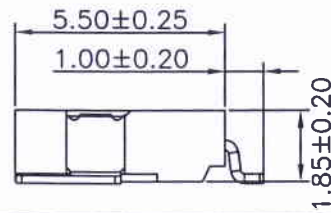
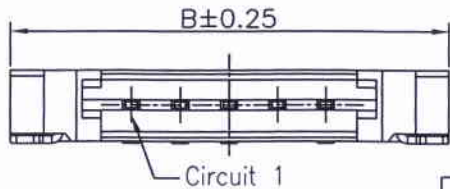


Circuits	Dimensions	
	A	B
2P	--	7.65
3P	2.50	8.90
4P	3.75	10.15
5P	5.00	11.40
6P	6.25	12.65
7P	7.50	13.90
8P	8.75	15.15
9P	10.00	16.40
10P	11.25	17.65
11P	12.50	18.90
12P	13.75	20.15
14P	16.25	22.65
15P	17.50	23.90
16P	18.75	25.15
20P	23.75	30.15
30P	36.25	42.65

P.C.B. LAYOUT

11255W90-NP X-S-5A-HF-NK
 ① ② ③ ④ ⑤ ⑥ ⑦ ⑧

- ① Series No.
- ② W00 : Up Contact
- ③ No. of Circuits
- ④ X : Product color(A--Y)
A : Black
- ⑤ S : SMT Type
- ⑥ Plating code for contacts:
5A : Gold-flash
- ⑦ HF : Halogen Free
- ⑧ NK : No Mark



Part No.	Material	Color	Pin Material	Solder Tabs
11255W90-NP-S-5A-HF-NK	LCP, UL94V-0(无磷)	Natural(Beige)	Phosphor Bronze/Gold Flash	Brass/Gold Flash
11255W90-NPA-S-5A-HF-NK	LCP, UL94V-0(无磷)	Black	Phosphor Bronze/Gold Flash	Brass/Gold Flash
11255W90-NP-S-3EA-HF-NK	LCP, UL94V-0(无磷)	Natural(Beige)	Phosphor Bronze/Matte Tin-plated	Brass/Gold Flash

REV.	REVISION RECORD	DATE
A0	新图面发行	13.06.18
A1	WN1605300070	16.05.30
A2	变更公司名称	17.03.10

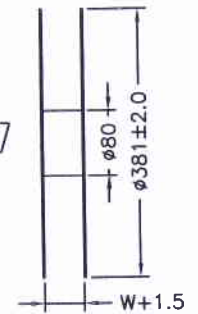
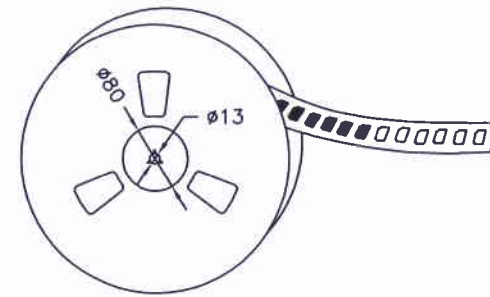
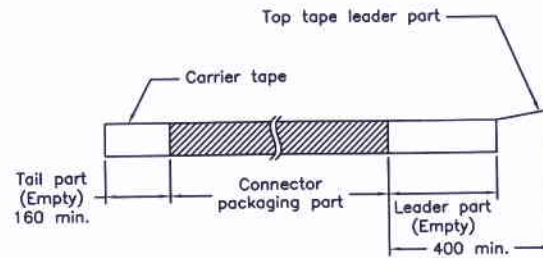
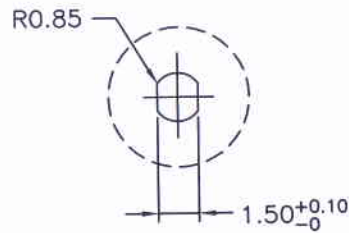
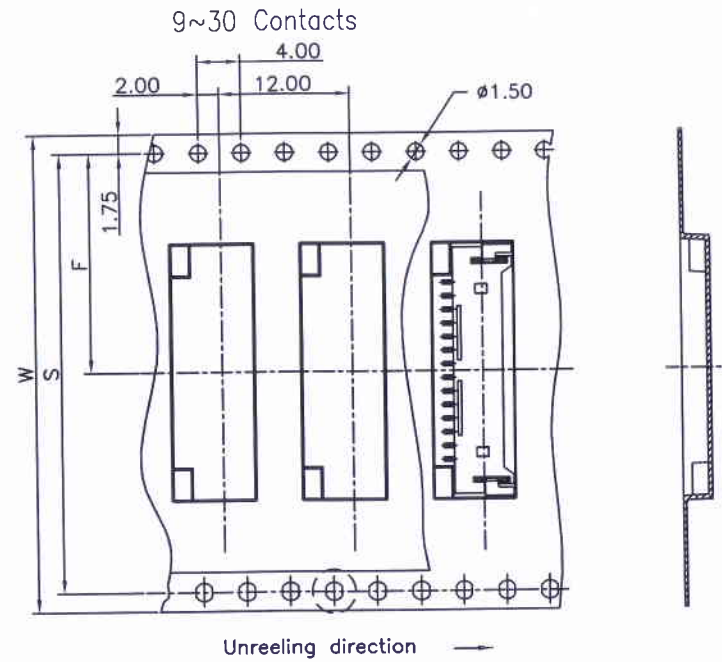
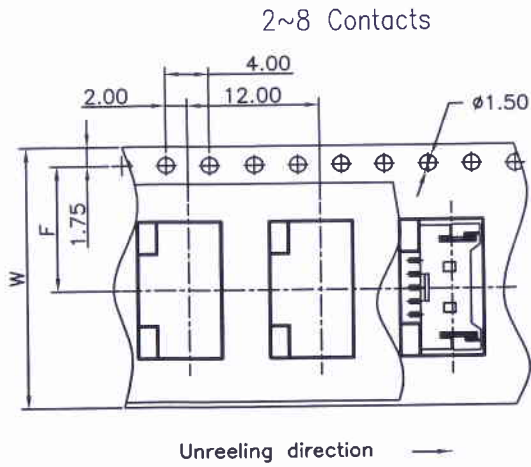
GENERAL TOLERANCES		SCALE:	NAME	DATE
LINEAR	ANGLES	1:1		
0.0±0.25	X° REF±6°	APPROVED:		
0.00±0.15	X° ±3°	DESIGNER:		
0.000±0.08	X° X'±2°	DRAWN:	邓群庄	17.03.10

JCTC 胜蓝科技股份有限公司
 TERMINAL&CONNECTORS 东莞市富智达电子科技有限公司

PART. NO:	11255W90-NPX-S-5A-HF-NK
DWG. NO:	ENDE05
REV:	A2
SHEET:	1/2

1.25mm PITCH 90° SMT TYPE WAFER

11255W90 SERIES



Number of Contacts	W±0.3	F±0.1	S±0.1	Q'ty/Reel
2P	16	7.50	--	2,000
3~8P	24	11.50	--	2,000
9~12P	32	14.20	28.40	2,000
13~20P	44	20.20	40.40	2,000
30P	56	26.20	52.40	2,000

REV.	REVISION RECORD	DATE	
A0	新图面发行	13. 06. 18	
A1	WN160530070	16. 05. 30	
A2	变更公司名称	17. 03. 10	
			UNIT: MM
			SIZE: A4

GENERAL TOLERANCES		SCALE:	NAME	DATE
LINEAR	ANGLES	1:1		
0.0±0.25	X° REF±6°	APPROVED		
0.00±0.15	X° ±3°	DESIGNER		17.03.10
0.000±0.08	X° X'±2°	DRAWN	邓群庄	17.03.10

JCTC® 胜蓝科技股份有限公司
 TERMINAL&CONNECTORS 东莞市富智达电子科技有限公司

TITLE:
 1.25mm PITCH 90° SMT TYPE WAFER

PART. NO:	11255W90-NPX-S-5A-HF-NK	
DWG. NO:	ENDE05	
REV:	A2	SHEET: 2/2