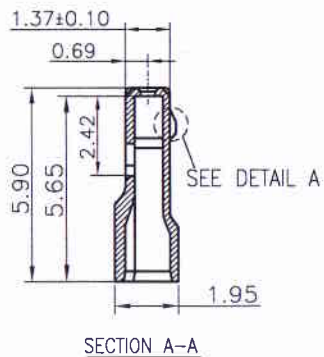
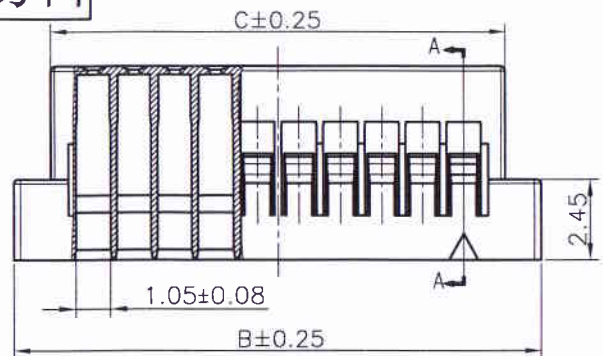
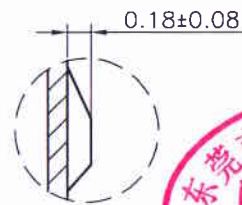
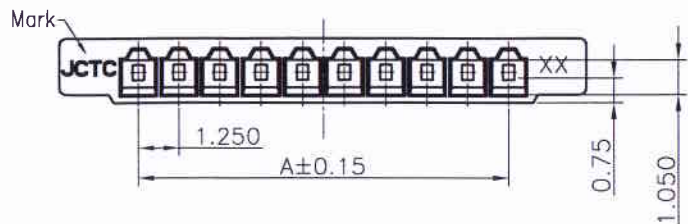


环保物料

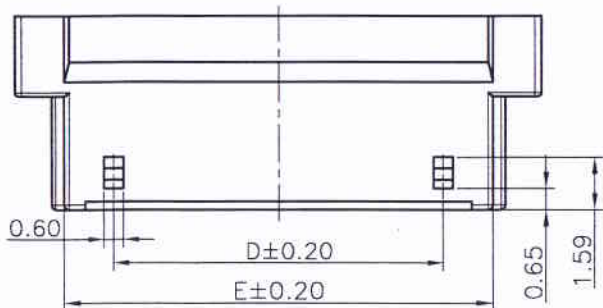


11256H00-NPX-C-HF
① ② ③④⑤⑥

- ① Series No.
- ② H90 : Side Contact
H00 : Up Contact
- ③ No. of Circuits
- ④ X : Product color (A--Y)
Blank : Natural type
- ⑤ C : C Type
- ⑥ HF : Halogen Free



DETAIL A
SCALE 4/1



说明:
 额定电压 : 100V AC/DC
 额定电流 : 1A AC,DC
 耐电压 : 500V AC/minute
 接触电阻 : 20mΩ(MAX.)
 绝缘电阻 : 500MΩ(MIN.)
 适用温度 : -25°C~+85°C

Dimensional Ordering Information:					
Circuits Part No	Dimensions				
	A	B	C	D	E
4P	3.75	8.50	6.30	2.50	5.55
8P	8.75	13.50	11.30	7.50	10.55
10P	11.25	16.00	13.80	10.00	13.05
12P	13.75	18.50	16.30	12.50	15.55



Suitable for JCTC 11256 series terminal

Part No.	Material	Color
11256H00-NPA-C-HF	Nylon 66,UL 94V-0	黑色无齿

REV.	REVISION RECORD	DATE	GENERAL TOLERANCES		SCALE:	NAME	DATE	JCTC® TERMINAL&CONNECTORS	□ 苏州伟聚 □ 东莞胜景 ■ 东莞胜蓝	PART. NO:
A0	换图框发行	14.12.26	LINER	ANGLES	1:1	陈国良	15.11.27			11256H00-NPX-C-XX
A1	HN1509160148	15.09.16	0.0±0.25	X° REF±6°	DESIGNER	邓群庄	15.11.27	DWG. NO:		
A2	HN1511030171	15.11.27	0.00±0.15	X° ±3°	DRAWN	邓群庄	15.11.27	TITLE:		
			0.000±0.08	X° X'±2°				FI-S 1.25mm PITCH HOUSING		
								REV: A2	SHEET: 1/1	