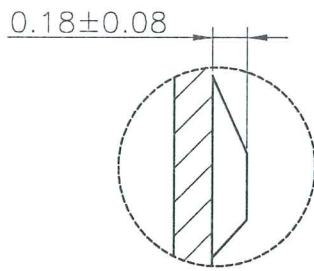
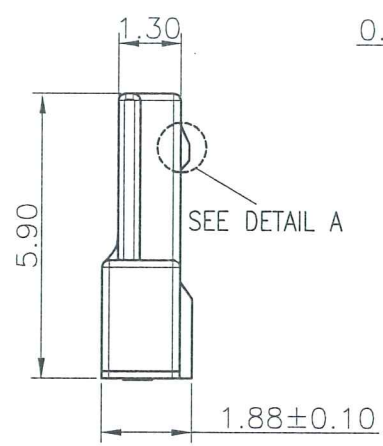
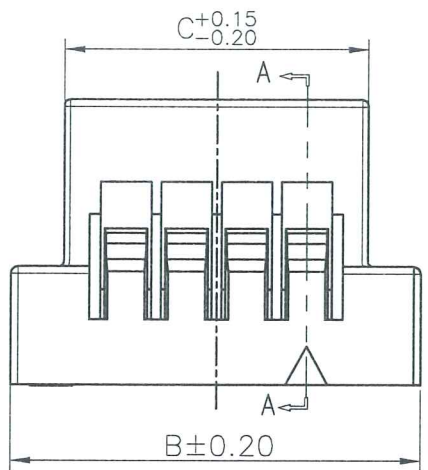


1 2 3 4 5 6 7 8

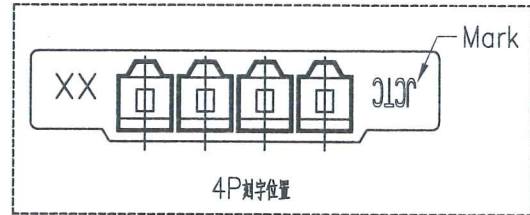
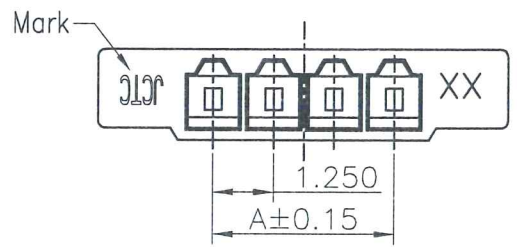
A
B
C
D
E
F
G



DETAIL A
SCALE 4:1

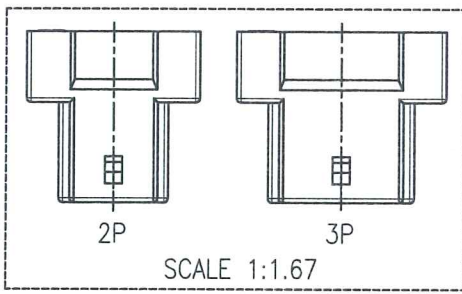
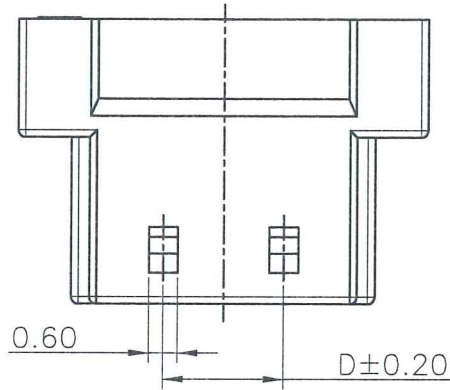
Specifications:
 Rated Voltage : 100V AC/DC
 Rated Current : 1A AC,DC
 Withstand Voltage : 500V AC/minute
 Contact Resistance : 20mΩ(MAX.)
 Insulation Resistance : 500MΩ(MIN.)
 Temperature Range : -25°C~+85°C
 The product using material and processing must conform to the "WI-PZ-142" HSF technical standard control requirements

Dimensional Ordering Information:				
Circuits Part No	Dimensions			
	A	B	C	D
2P	1.25	5.00	3.80	--
3P	2.50	7.25	5.05	--
4P	3.75	8.50	6.30	2.50
5P	5.00	9.75	7.55	3.75
6P	6.25	11.00	8.80	5.00
7P	7.50	12.25	10.05	6.25
8P	8.75	13.50	11.30	7.50
9P	10.00	14.75	12.55	8.75
10P	11.25	16.00	13.80	10.00
11P	12.50	17.25	15.05	11.25
12P	13.75	18.50	16.30	12.50
13P	15.00	19.75	17.55	13.75
14P	16.25	21.00	18.80	15.00
15P	17.50	22.25	20.05	16.25
20P	23.75	28.50	26.30	22.50
25P	30.00	34.75	32.55	28.75
30P	36.25	41.00	38.80	35.00



11256H00-NPX-HF-S1
 ① ② ③④ ⑤ ⑥

- ① Series No.
- ② H90 : Side Contact
H00 : Up Contact
- ③ No. of Circuits
- ④ X : Product color (A--Y)
Blank : Natural type
- ⑤ HF : Halogen Free
- ⑥ S1 : S1 TYPE



Suitable for JCTC 11256 series terminal

Part No.	Material	Color
11256H00-NP-HF-S1	Nylon 66,UL 94V-0	本色无卤
11256H00-NPA-HF-S1	Nylon 66,UL 94V-0	黑色无卤

REV.	REVISION RECORD	DATE	UNIT: MM SIZE: A4	GENERAL TOLERANCES		SCALE: 1:1	NAME	DATE	PART. NO:	DWG. NO:	 TERMINAL&CONNECTORS
A0	新图面发行	16.05.10		LINEAR	ANGLES	APPROVED	Nelson	21.09.26	11256H00-NPX-HF-S1	ENDE05	
A1	变更公司名称	17.04.25	0.0±0.25	X° REF±6°	DESIGNER	mu	21.09.26	TITLE:			
A2	依170818181新增规格	17.11.16	0.00±0.15	X° ±3°	DRAWN	QYX	21.09.26	FI-S 1.25mm PITCH HOUSING			
A3	新增规格	21.09.26	0.000±0.08	X° X' ±2°						REV: A3	SHEET: 1/1

1 2 3 4 5 6 7 8