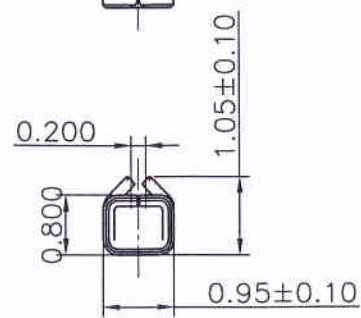
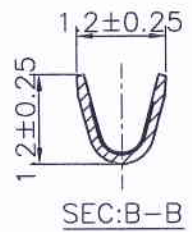
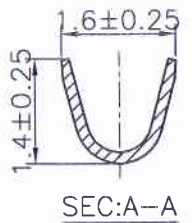
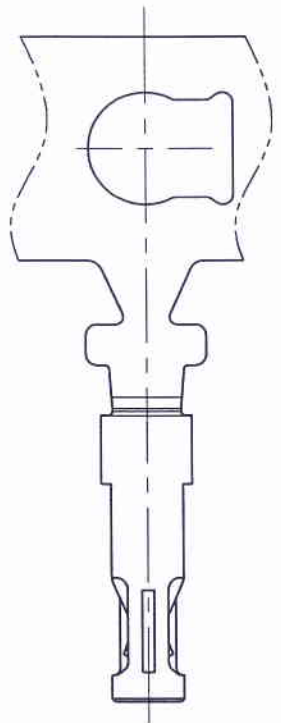
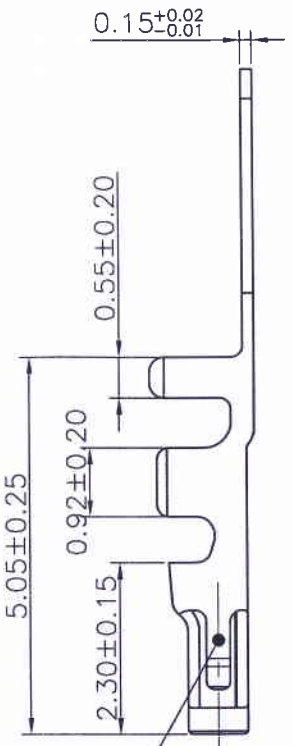
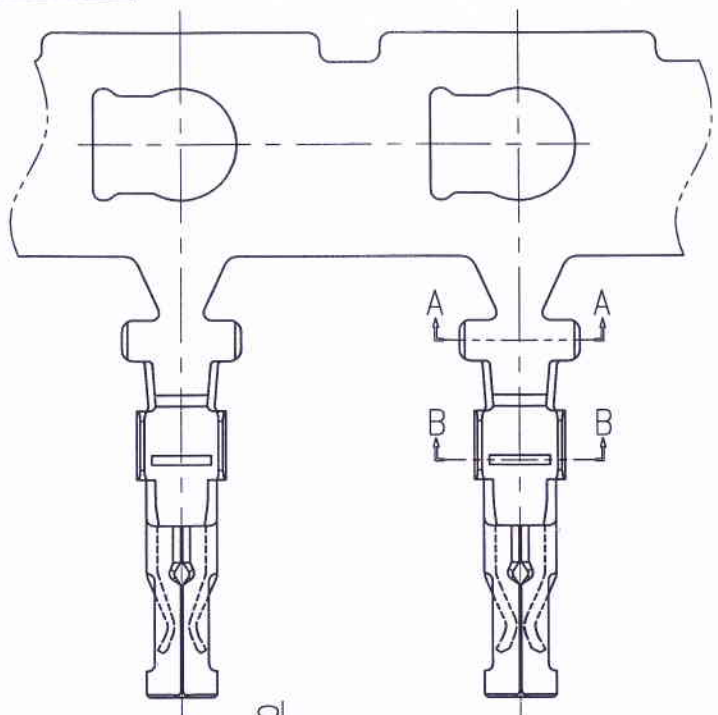


RoHS



Note: 11256TOP-XX-A-NK-S1  
 S1: S1 TYPE  
 NK: NO MARK  
 A: A TYPE

Finish \_\_\_\_\_  
 2E--Stamping before Tin-plated

Part No	Wire Range	Insulation O.D.	Material	Finish	Qty/reel
11256TOP-2E-A-NK-S1	AWG#28~#32	1.00mm(max)	Phosphor Bronze	Tin-plated	20,000 pcs

REV.	REVISION RECORD	DATE	UNIT	GENERAL TOLERANCES	SCALE	NAME	DATE	JCTC® 胜蓝科技股份有限公司 TERMINAL&CONNECTORS 东莞市富智达电子科技有限公司	PART. NO:
C0	新图面发行	13.07.16	MM	LINEAR	1:1	APPROVED	11/5/17		11256TOP-2E-A-NK-S1
C1	变更公司名称	17.03.01		0.0±0.25	ANGLES	DESIGNER	17.03.01	DWG. NO:	
			0.00±0.15	X° REF±6°	DRAWN	邓群庄	17.03.01	TITLE:	ENDE05
			0.000±0.08	X° X'±2°				REV: C1	SHEET: 1/1

FI-S 端子