

Specifications:

Voltage Rating : 50V AC/DC
 Current Rating : 1A AC,DC
 Withstand Voltage : 500V AC/minute
 Contact Resistance : 30mΩ(MAX.)
 Insulation Resistance : 100MΩ(MIN.)
 Temperature Range : -25°C~+85°C
 Contact: Phosphor Bronze/Matte Tin-plated
 Solder Tabs: Brass/Matte Tin-plated
 Insulator and Cap : Thermal Plasticity Resin,
 UL 94V-0 Halogen Free
 Colour : Natural(Beige)
 The product using material and processing
 must conform to the "WI-PZ-142"HSF
 technical standard control requirements

11257W00-NP-S-3E-HF-R
 ① ② ③ ④ ⑤ ⑥ ⑦

- ① Series No.
- ② W90 : Side Contact
W00 : Up Contact
- ③ No. of Circuits
- ④ S : SMT Type
- ⑤ 3E : Matte Tin-plated
5A : Gold-flash
- ⑥ HF : Halogen Free
- ⑦ R : Reel pack

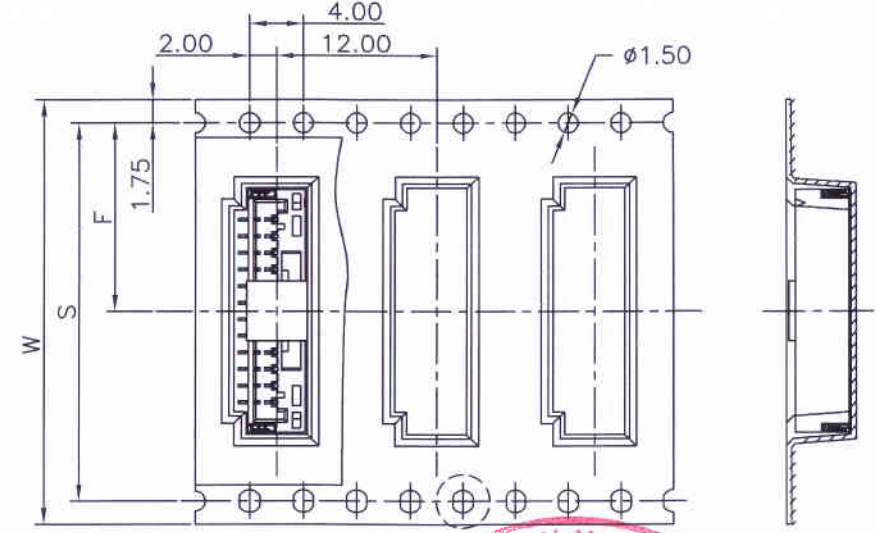
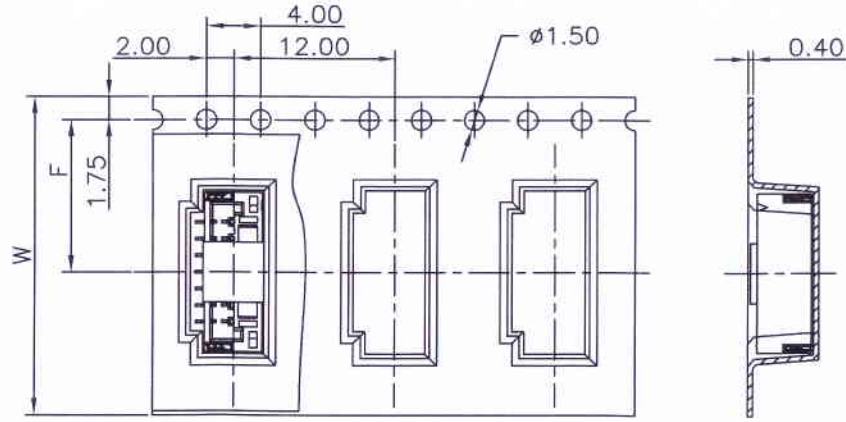
Circuits	Dimensions		
	A	B	C
2P	--	5.75	2.05
3P	2.50	7.00	3.30
4P	3.75	8.25	4.50
5P	5.00	9.50	
6P	6.25	10.75	6.70
7P	7.50	12.00	
8P	8.75	13.25	
9P	10.00	14.50	8.65
10P	11.25	15.75	
11P	12.50	17.00	
12P	13.75	18.25	
13P	15.00	19.50	8.65
14P	16.25	20.75	
15P	17.50	22.00	
16P	18.75	23.25	
17P	20.00	24.50	
18P	21.25	25.75	



REV.	REVISION RECORD	DATE	GENERAL TOLERANCES	SCALE:	NAME	DATE	PART. NO.:	DWG. NO.:	JCTC® TERMINAL&CONNECTORS
C0	新图面发行	13.07.25	LINEAR	1:1			11257W00-NP-S-XX-HF	ENDE05	
C1	更换公司名称	17.05.04	0.0±0.25	APPROVED					
C2	WN2009240266	20.09.28	X° REF±6°	DESIGNER					
C3	WN2102040032	21.02.04	X° X'±2°	DRAWN	甘海东	21.02.04	TITLE: GHR 1.25mm PITCH 180° SMT WAFER	REV: C3	

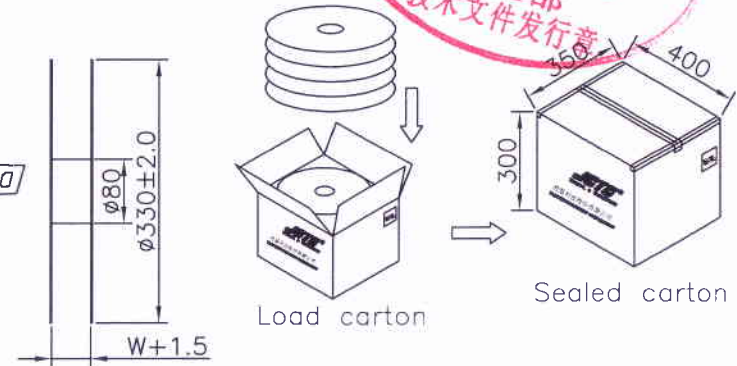
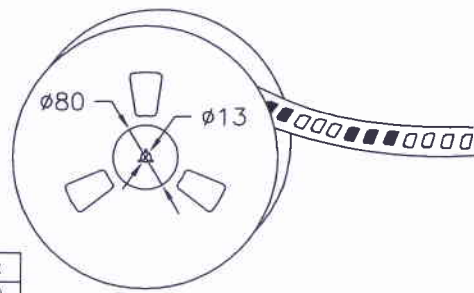
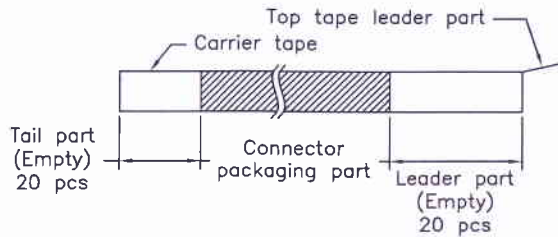
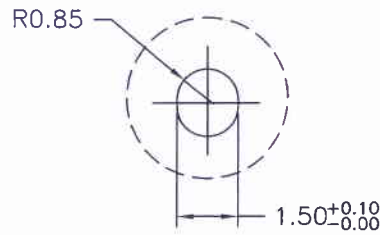
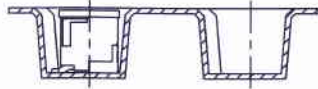
2~11 Contacts

12~15 Contacts



Unreeling direction →

Unreeling direction →



Number of Contacts	W±0.3	F±0.1	S±0.1	Pcs/Reel	Pcs/Box
2~5P	16	7.50		1,000	14,000
6~11P	24	11.50		1,000	10000
12~15P	32	14.20	28.40	1,000	8000

REV.	REVISION RECORD	DATE	GENERAL TOLERANCES	SCALE:	NAME	DATE	PART. NO:	DWG. NO:
C0	换图框发行	11.12.05	LINEAR	1:1			11257W00-NP-S-XX-XX	ENDE05
C1	新增无卤规格	13.01.29	0.0±0.25	APPROVED				
C2	WN1610310182	16.11.07	X° REF±6°	DESIGNER				
C3	WN2009240266	20.09.28	0.00±0.15	DRAWN	李占梅	20.09.28	TITLE: GHR 1.25mm PITCH 180° SMT WAFER	
			UNIT: MM					
			SIZE: A4					
			0.000±0.08					
			X° X'±2°					

