

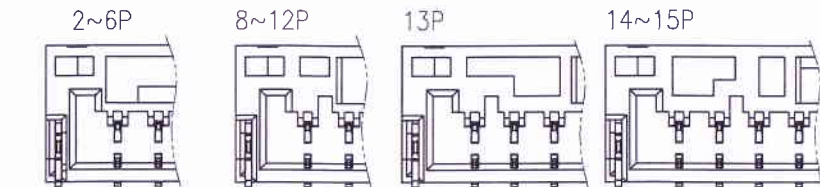
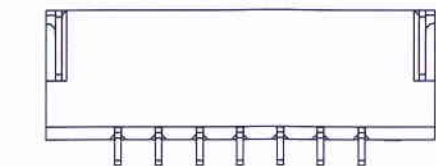
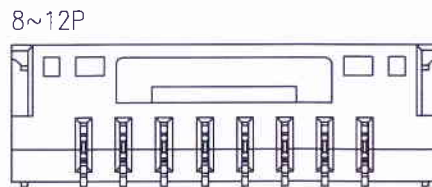
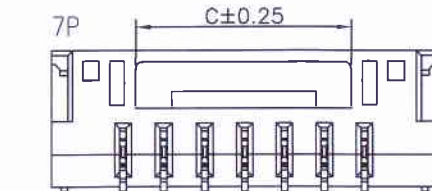
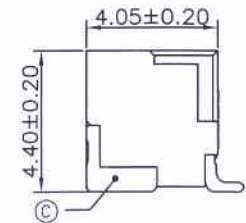
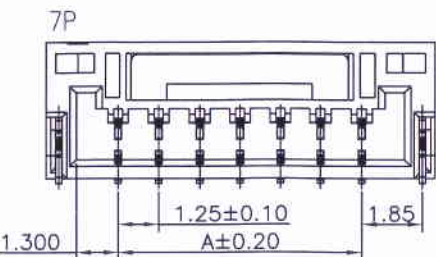
P.C.B. LAYOUT

Specifications:  
 Voltage Rating : 50V AC/DC  
 Current Rating : 1A AC,DC  
 Withstand Voltage : 500V AC/minute  
 Contact Resistance : 30mΩ(MAX.)  
 Insulation Resistance : 100MΩ(MIN.)  
 Temperature Range : -25°C~+85°C  
 The product using material and processing must conform to the "WI-PZ-142"HSF technical standard control requirements

Dimensional Ordering Information			
Circuits Part No	Dimensions		
	A	B	C
2P	--	5.75	2.05
3P	2.50	7.00	3.30
4P	3.75	8.25	4.50
5P	5.00	9.50	4.50
6P	6.25	10.75	6.70
7P	7.50	12.00	6.70
8P	8.75	13.25	6.70
9P	10.00	14.50	6.70
10P	11.25	15.75	8.65
11P	12.50	17.00	8.65
12P	13.75	18.25	8.65
13P	15.00	19.50	8.65
14P	16.25	20.75	8.65
15P	17.50	22.00	8.65

11257W90-NP-S-HF-NK  
 ① ② ③ ④ ⑤ ⑥

- ① Series No.
- ② W90 : Side Contact
- ③ W00 : Up Contact
- ④ No. of Circuits
- ⑤ S : SMT Type
- ⑥ HF : Halogen Free
- ⑦ NK : No Mark



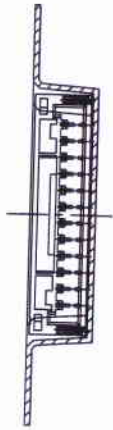
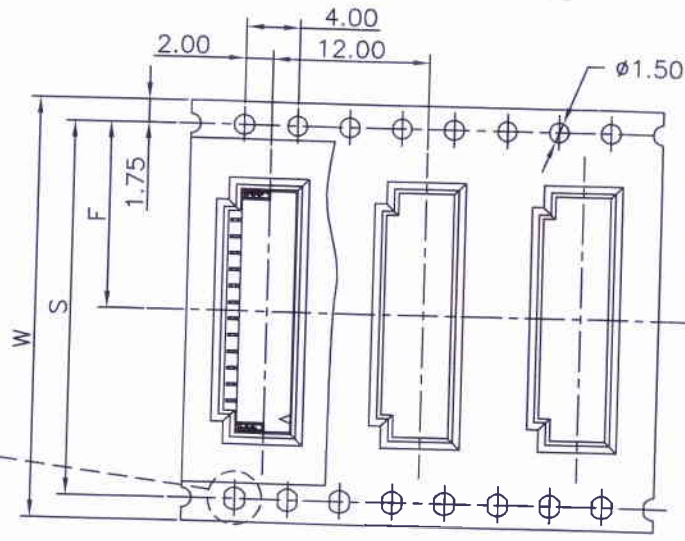
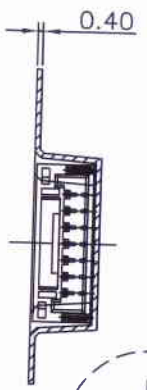
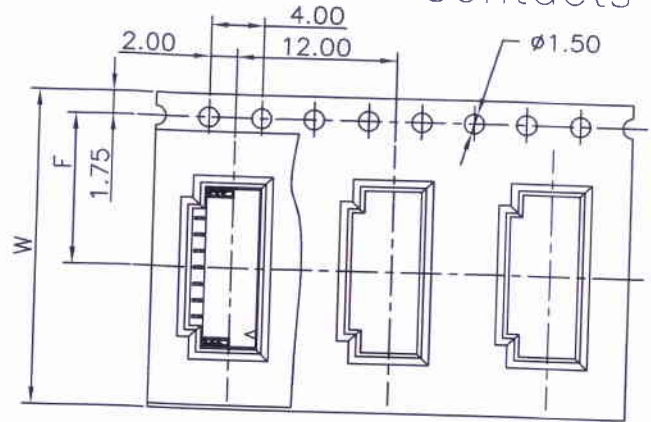
No.	Description	Material	Color
a	Insulator	High temperature plastic,UL94V-0	Natural(Beige)
b	Pin Terminal	Phosphor Bronze/Tin-plated	--
c	Solder Tabs	Brass/Tin-plated	--

REV.	REVISION RECORD	DATE	GENERAL TOLERANCES	SCALE:	NAME	DATE	PART.NO:	DWG. NO:	JCTC® TERMINAL&CONNECTORS
A0	新图面发行	15.09.21	LINEAR	1:1			11257W90-NP-S-NK	ENDE05	
A1	WN1610310182	16.11.07	0.0±0.25	ANGLES	APPROVED	20.09.28	TITLE: GHR 1.25mm PITCH 90° SMT WAFER	REV: A2	
A2	WN2009240266	20.09.27	0.00±0.15	X° REF±6°	DESIGNER	20.09.28			
			0.00±0.08	X° X'±3°	DRAWN	李占梅			SHEET: 1/2

1 2 3 4 5 6 7 8

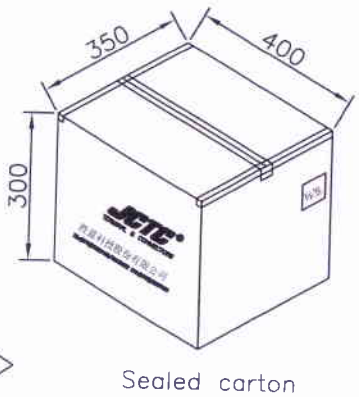
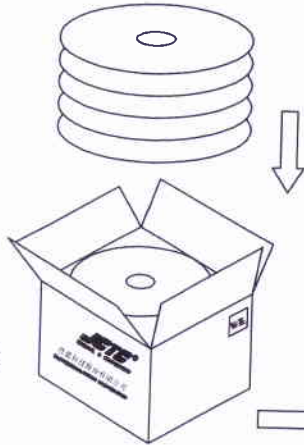
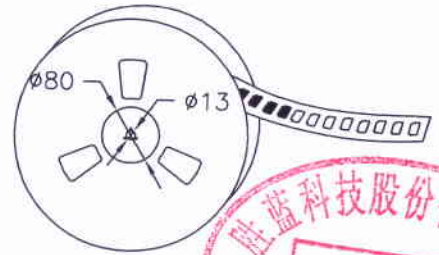
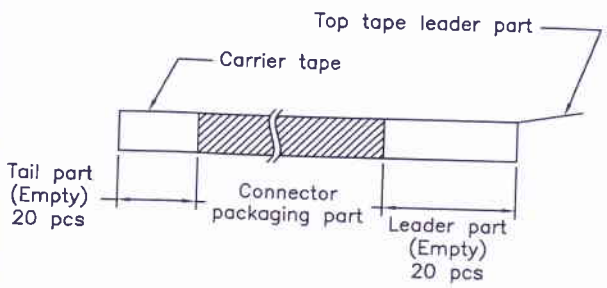
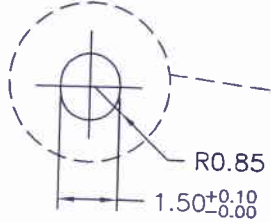
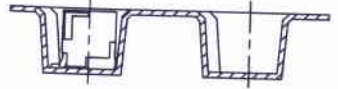
02~11 Contacts

12~15 Contacts



Unreeling direction →

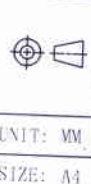
Unreeling direction →



Number of Contacts	W±0.3	F±0.1	S±0.1	Pcs/Reel	Pcs/Box
2~5P	16	7.50		1,000	14,000
6~11P	24	11.50		1,000	10,000
12~15P	32	14.20	28.40	1,000	8,000

2020.09.30  
工程部部长  
技术文件发行章

REV.	REVISION RECORD	DATE
A0	新图面发行	15.09.21
A1	WN1610310182	16.11.07
A2	WN2009240266	20.09.27



GENERAL TOLERANCES	
LINEAR	ANGLES
0.0 ± 0.25	X° REF ± 6°
0.00 ± 0.15	X° ± 3°
0.000 ± 0.08	X° X' ± 2°

SCALE:	NAME	DATE
1:1	李占梅	20.09.28
APPROVED:	李占梅	20.09.28
DESIGNER:	李占梅	20.09.28
DRAWN:	李占梅	20.09.27

PART. NO:	DWG. NO:
11257W90-NP-S-NK	ENDE05
TITLE:	GHR 1.25mm PITCH 90° SMT WAFER

**JCTC**®  
TERMINAL & CONNECTORS

REV: A2 SHEET: 2/2

1 2 3 4 5 6 7 8