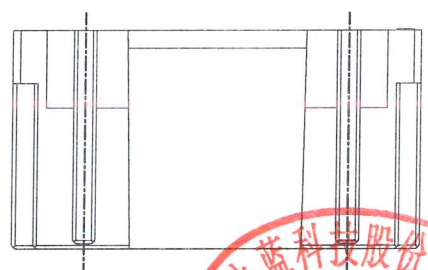
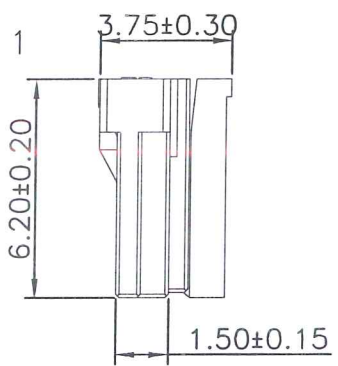
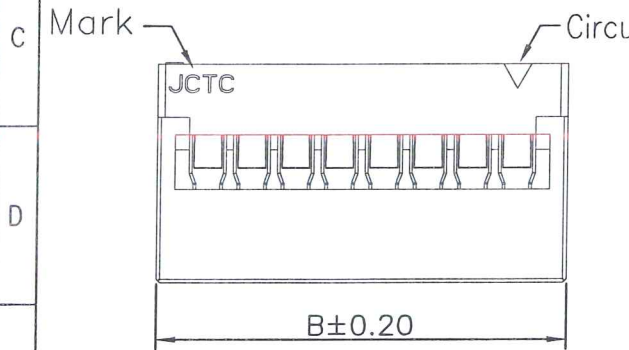


11258H00-NP-L-HF

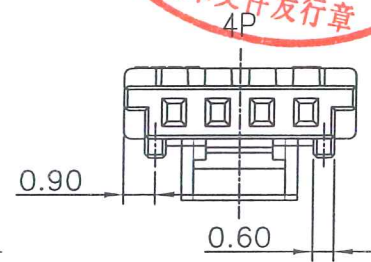
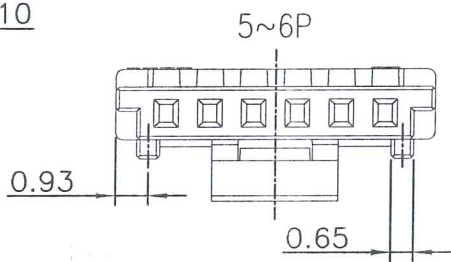
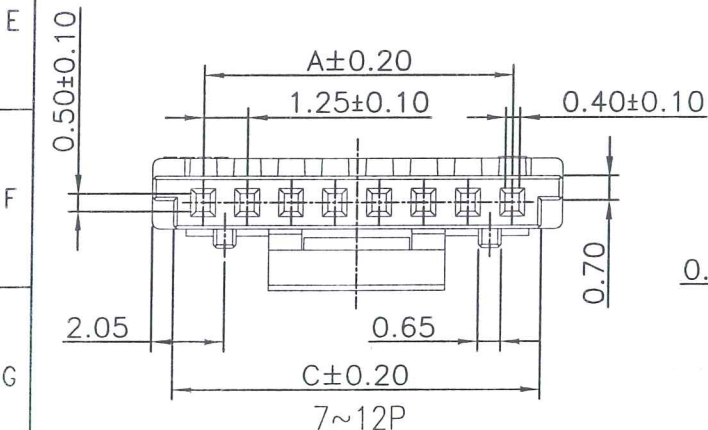
- ① Series No.
- ② H90 : Side Contact
H00 : Up Contact
- ③ No. of Circuits
- ④ L : With Lock
- ⑤ HF : Halogen Free

SPECIFICATIONS

Current Rating: 1A AC,DC
 Voltage Rating: 50V AC,DC
 Withstanding Voltage: 500V AC/minute
 Contact Resistance: 30mΩ Max.
 Insulation Resistance: 100MΩ Min.
 Temperature Range: -25°C ~ +85°C
 The product using material and processing must conform to the "WI-PZ-142"HSF technical standard control requirements



Circuits No.	Dimensions				
	A	B	C	D	E
4P	3.75	6.60	5.40	3.30	1.90
5P	5.00	7.85	6.65	3.60	2.00
6P	6.25	9.10	7.90		
7P	7.50	10.35	9.15	5.00	3.00
8P	8.75	11.60	10.40		
9P	10.00	12.85	11.65		
10P	11.25	14.10	12.90	9.00	7.00
11P	12.50	15.35	14.15		
12P	13.75	16.60	15.40		
13P	15.00	17.85	16.65		
14P	16.25	19.10	17.90	31.65	37.90
15P	17.50	20.35	19.15		
20P	23.75	26.60	25.40	27.90	31.65
22P	26.25	29.10	27.90		
25P	30.00	32.85	31.65	37.90	31.65
30P	36.25	39.10	37.90		



Part No.	Material	Color
11258H00-NP-L-HF	Nylon 66,UL94V-0	无卤本色

REV.	REVISION RECORD	DATE	GENERAL TOLERANCES	SCALE: 1:1	NAME	DATE	PART. NO:	DWG. NO:	 JCTC ® TERMINAL&CONNECTORS
C0	新图面发行	12.10.23	LINEAR	APPROVED:	[Signature]	20.12.12	11258H00-NP-L-XX	ENDE05	
C1	7P两防呆柱位置设变	13.10.18	0.0±0.25	DESIGNER:	[Signature]	20.12.12	TITLE:	1.25mm PITCH HOUSING	
C2	换图框发行	20.06.01	0.00±0.15	DRAWN:	陈佳龙	20.12.12			
C3	HN2012030364	20.12.12	0.000±0.08						