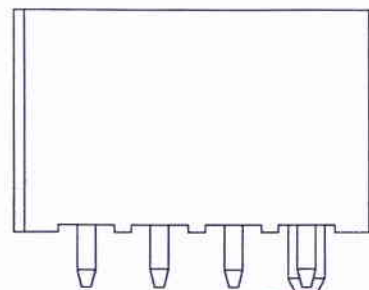
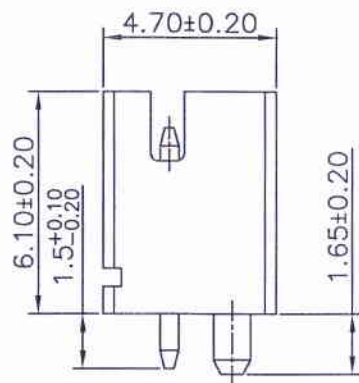
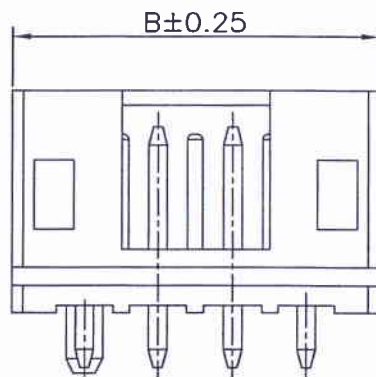
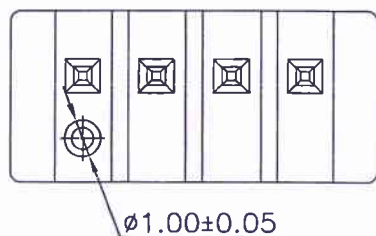


12001W00-NPX-F-S3-XX-HF-NK
 ① ② ③④⑤ ⑥ ⑦ ⑧ ⑨

- ① Series No.
- ② W00 : Up Contact
- ③ No. of Circuits
- ④ X : Product color(A--Y)
Blank: Natural Type A: Black
- ⑤ F : With Boss
- ⑥ S3 : S3 Type
- ⑦ Blank : Tin 5A : Gold Flash
- ⑧ HF : Halogen Free
- ⑨ NK : No Mark



Circuits	Dimensions	
	A	B
2P	--	6.00
3P	4.00	8.00
4P	6.00	10.00
5P	8.00	12.00
6P	10.00	14.00
7P	12.00	16.00
8P	14.00	18.00
9P	16.00	20.00
10P	18.00	22.00
11P	20.00	24.00
12P	22.00	26.00
13P	24.00	28.00
14P	26.00	30.00
15P	28.00	32.00
16P	30.00	34.00



Specifications:
 Rated Voltage : 100V AC/DC
 Rated Current : 2A AC,DC
 Withstand Voltage : 800V AC/minute
 Contact Resistance : 10mΩ(MAX.)
 Insulation Resistance : 1000MΩ(MIN.)
 Temperature Range : -25°C~+85°C
 The product using material and processing must conform to the "WI-PZ-142"HSF technical standard control requirements



Part No.	Material	Color	PIN Material
12001W00-NP-F-S3-HF-NK	LCP,UL94V-0	Natural(Beige)	Barss/Tin-plated
12001W00-NP-F-S3-5A-HF-NK	LCP,UL94V-0	Natural(Beige)	Barss/Gold Flash

REV.	REVISION RECORD	DATE	GENERAL TOLERANCES	SCALE:	NAME	DATE	TITLE:	PART. NO:
A0	新图面发行	19.06.11	LINEAR: 0.0±0.25 ANGLES: X° REF±6°	1:1	APPROVED: [Signature]	19.06.11		
			UNIT: MM 0.00±0.15 SIZE: A4 0.000±0.08		DESIGNER: [Signature]	19.06.11	DWG. NO: ENDE05	
					DRAWN: 伍文聪	19.06.11		REV: A0 SHEET: 1/1

JCTC 胜蓝科技股份有限公司
 TERMINAL&CONNECTORS 东莞市富智达电子科技有限公司