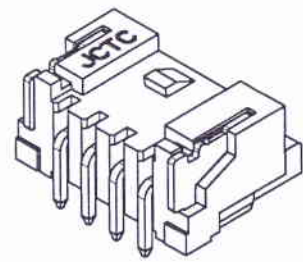


10~16P 封装
SCALE 0.8:1



P.C.B. LAYOUT

Circuits Part No	Dimensions		
	A	B	C
2P	--	8.00	0.78
3P	4.00	10.00	1.20
4P	6.00	12.00	1.50
5P	8.00	14.00	1.50
6P	10.00	16.00	1.50
7P	12.00	18.00	1.50
8P	14.00	20.00	1.50
9P	16.00	22.00	1.50
10P	18.00	24.00	7.60
11P	20.00	26.00	7.60
12P	22.00	28.00	7.60



12002W00-NP-SA-R

- ① ② ③ ④⑤⑥
- ① Series No.
- ② W90 : Side Contact
W00 : Up Contact
- ③ No. of Circuits
- ④ S : SMT TYPE
- ⑤ A : A TYPE
- ⑥ R : Tape & Reel(With Cap)

Specifications:
 Rated Voltage : 250V AC/DC
 Rated Current : 3A AC/DC
 Withstand Voltage : 800V AC/minute
 Contact Resistance : 10mΩ(MAX.)
 Insulation Resistance : 1000MΩ(MIN.)
 Temperature Range : -25°C~+85°C
 The product using material and processing must conform to the "WI-PZ-142"HSF technical standard control requirements

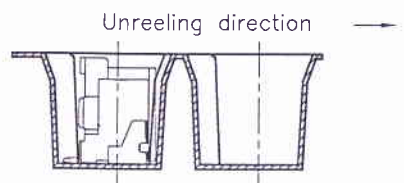
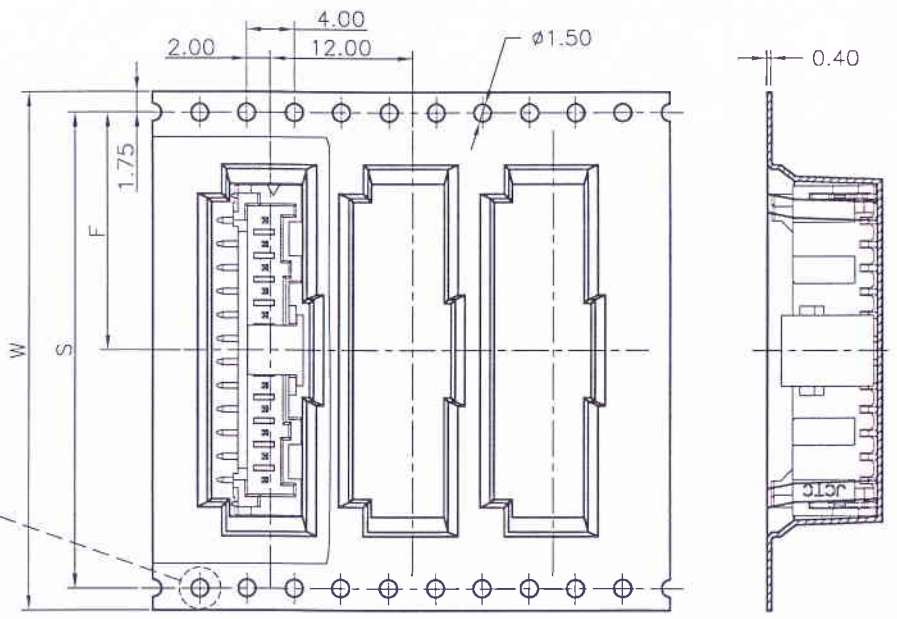
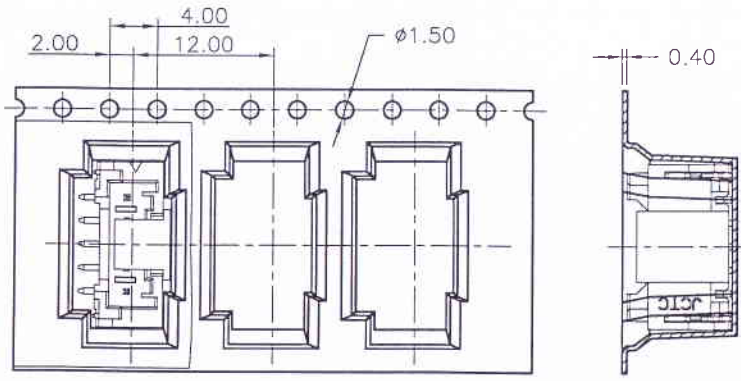
No.	Description	Material	Color
a	Insulator	High temperature plastic,UL94V-0	Natural(Beige)
b	PIN	Brass/Tin-plated	--
c	Solder Tabs	Brass/Tin-plated	--
d	Cap	Nylon 6T,UL94V-0	Natural(Beige)

REV.	REVISION RECORD	DATE	GENERAL TOLERANCES	SCALE:	NAME	DATE	JCTC® 胜蓝科技股份有限公司 TERMINAL&CONNECTORS 东莞市富智达电子科技有限公司	PART. NO.:
C0	新图面发行	11.12.02	LINEAR	1:1	APPROVED			12002W00-NP-SA
C1	WN1312270229	13.12.27	ANGLES		DESIGNER			DWG. NO.:
C2	更新公司名称	17.05.04	UNIT: MM		DRAWN			ENDE05
			SIZE: A4				TITLE: PA 2.00mm PITCH 180° SMT WAFER	REV: C2 SHEET: 1/2

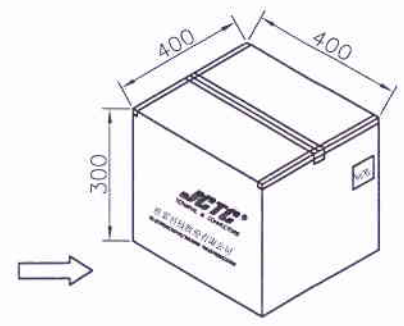
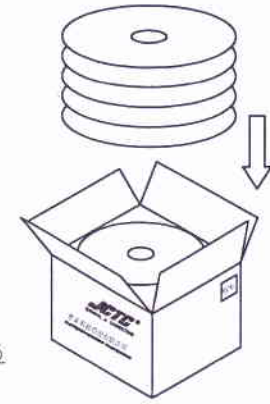
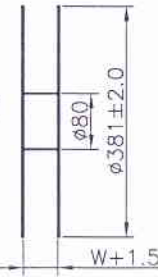
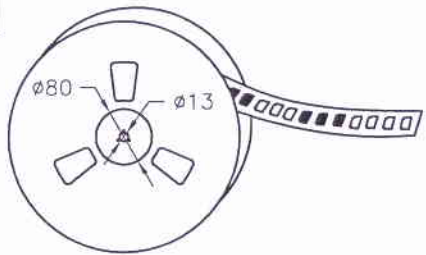
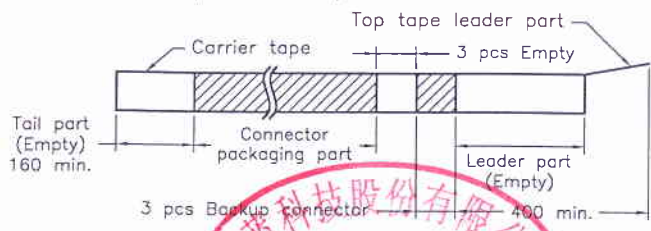
1 2 3 4 5 6 7 8

2~5 Contacts

6~12 Contacts



Unreeling direction



Number of Contacts	W±0.3	F±0.1	S±0.1	Q'ty/Reel	Q'ty/Box
2~5P	24	11.50	750	750pcs	7500pcs
6~8P	32	14.20	28.40	750pcs	6000pcs
9~12P	44	20.20	40.40	750pcs	4500pcs

REV.	REVISION RECORD		DATE	GENERAL TOLERANCES	SCALE: 1:1	NAME	DATE	JCTC® 胜蓝科技股份有限公司		PART. NO:	
	REV.	DESCRIPTION						TERMINAL&CONNECTORS	东莞市富智达电子科技有限公司	12002W00-NP-SA	
C0		新图面发行	11.12.02	L: 0.0±0.25							
C1		WN1312270229	13.12.27	A: X° REF±6°							
C2		更新公司名称	17.05.04	X: 0.0±0.15							
				Y: 0.00±0.08							
				Z: X° X'±2°							
DRAWN: 伍文聪								TITLE: PA 2.00mm PITCH 180° SMT WAFER		DWG. NO: ENDE05	
										REV: C2 SHEET: 2/2	

1 2 3 4 5 6 7 8