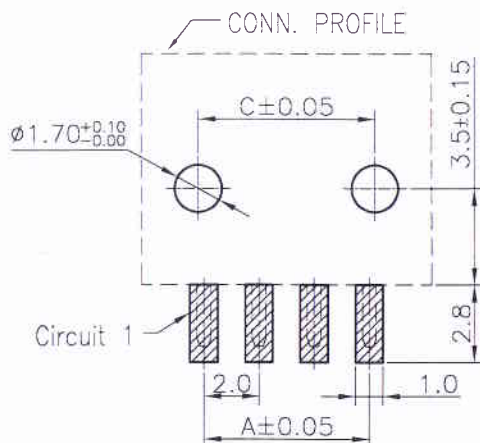
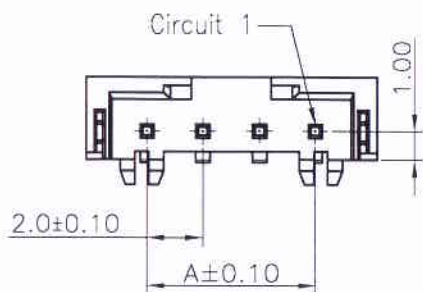


环保物料

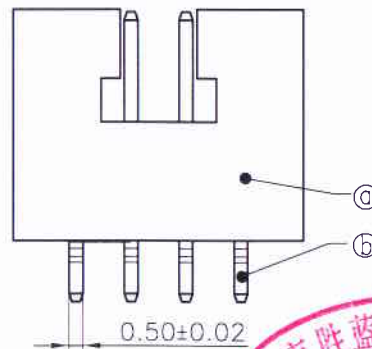


Specifications:
 Voltage Rating : 250V AC/DC
 Current Rating : 3A AC,DC
 Withstand Voltage : 500V AC/minute
 Contact Resistance : 30mΩ(MAX.)
 Insulation Resistance : 1000MΩ(MIN.)
 Temperature Range : -25°C~+85°C

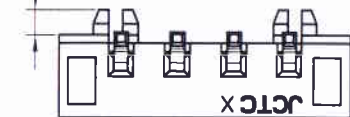
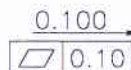
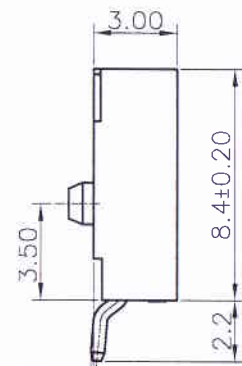
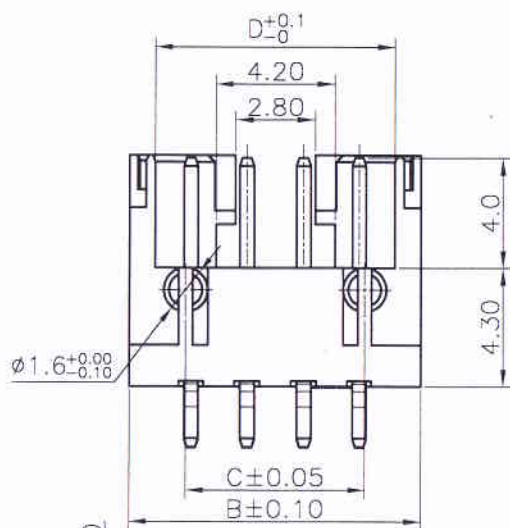
12011W90-NP-S F-HF

- ① Series No.
- ② W90 : Side Contact
W00 : Up Contact
- ③ No. of Circuits
- ④ S : SMT Type
- ⑤ F : With pillar
- ⑥ HF : Halogen Free

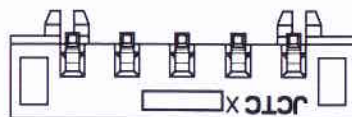
P.C.B Layout
 General Tolerance: ±0.15



Circuits Part No	Dimensions			
	A	B	C	D
3P	4.00	8.50	4.40	6.60
4P	6.00	10.50	6.40	8.60
5P	8.00	12.50	8.40	10.60
6P	10.00	14.50	10.40	12.60
7P	12.00	16.50	12.40	14.60
8P	14.00	18.50	14.40	16.60
9P	16.00	20.50	16.40	18.60



3P, 4P



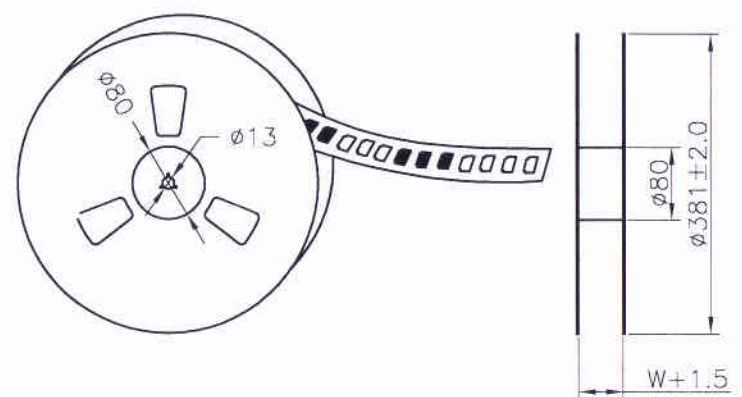
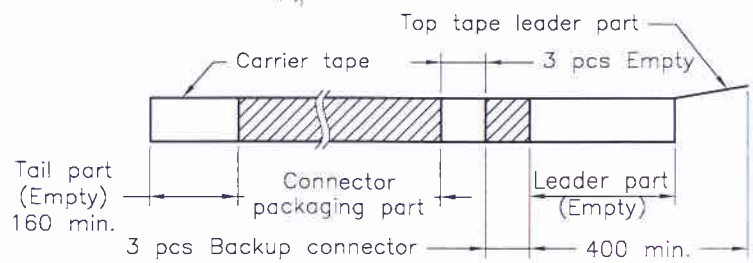
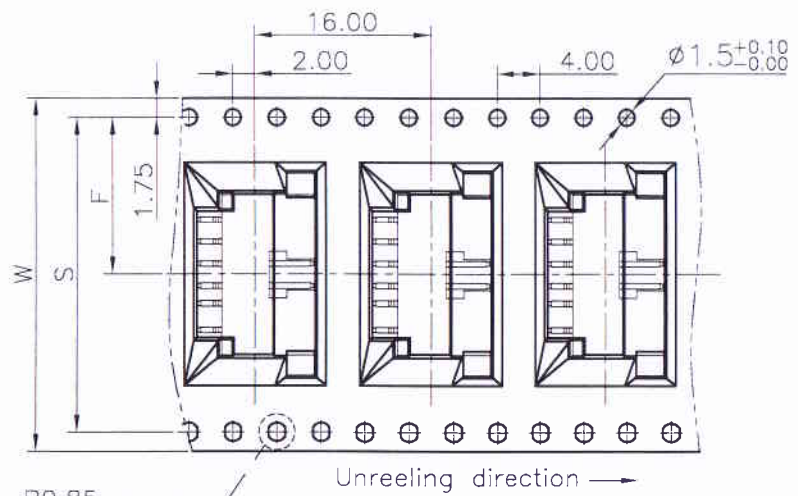
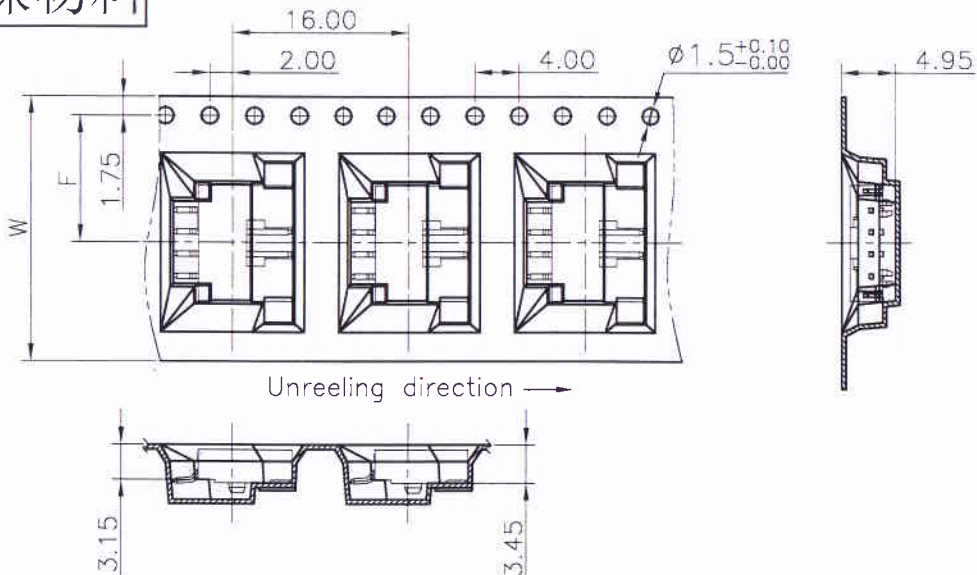
5~15P



No.	Description	Material	Color
a	Insulator	High temperature plastic,UL94V-0	Natural(Beige)
b	PIN	Brass/Gold-flash	---

REV.	REVISION RECORD	DATE	GENERAL TOLERANCES	SCALE:	NAME	DATE	JCTC® <input type="checkbox"/> 苏州伟聚 <input type="checkbox"/> 东莞胜景 TERMINAL&CONNECTORS <input checked="" type="checkbox"/> 东莞胜蓝	PART. NO:
A0	新图面发行	16.02.25	LINEAR: 0.0±0.25 ANGLES: X° REF±6° UNIT: MM 0.00±0.15 SIZE: M4 0.00±0.08	1:1	Even-chen 2/8/16 江文聪 16.02.25 生文聪	16.02.25		12011W90-NP-SF-HF
							TITLE: 2.00mm PITCH 90° SMT WAFER	DWG. NO: ENDE05
							REV: A0	SHEET: 1/2

环保物料



Number of Contacts	W±0.3	F±0.1	S±0.1	Q'ty/Reel
03P	24	11.50	/	800
04P	24	11.50		800
05P	24	11.50		800
06P	32	14.20	28.40	800
07P	32	14.20	28.40	800
08P	32	14.20	28.40	800
09P	44	20.20	40.40	800



REV.	REVISION RECORD	DATE	UNIT: MM
A0	新图面发行	16.02.25	SIZE: A4

GENERAL TOLERANCES		SCALE: 1:1	NAME	DATE
LINEAR	ANGLES	APPROVED	Evam-chen	16.02.25
0.0±0.25	X° REF±6°	DESIGNER	伍文聪	16.02.25
0.00±0.15	X° ±3°	DRAWN	伍文聪	16.02.25
0.000±0.08	X° X'±2°			

JCTC® 苏州伟聚 东莞胜景
 TERMINAL&CONNECTORS 东莞胜蓝

TITLE: 2.00mm PITCH 90° DIP WAPER

PART. NO:	12011W90-NP-SF-HF
DWG. NO:	ENDE05
REV: A0	SHEET: 2/2