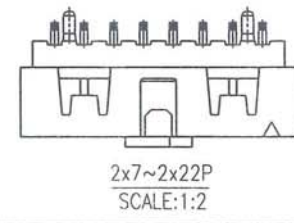
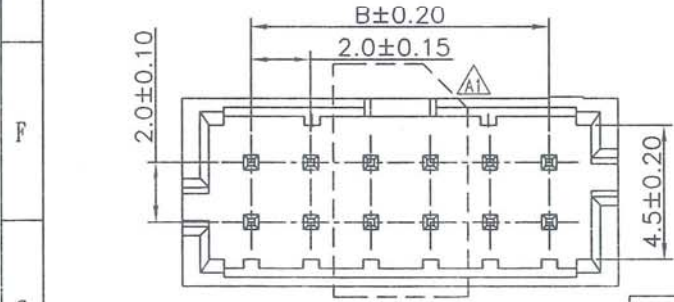
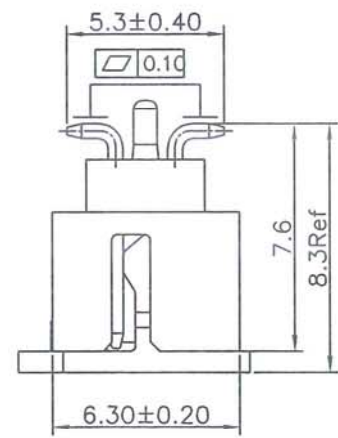
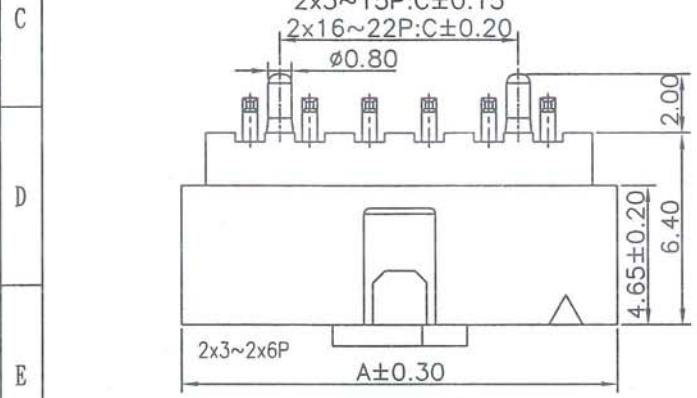


P.C.B Layout
Tolerance:±0.05

Specifications:
 Rated Voltage : 250V AC/DC
 Rated Current : 2A AC,DC
 Withstand Voltage : 500V AC/minute
 Contact Resistance : 30mΩ(MAX.)
 Insulation Resistance : 800MΩ(MIN.)
 Temperature Range : -25°C~+85°C
 The product using material and processing must conform to the "WI-PZ-142"HSF technical standard control requirements



12012W00-2xNPX-S F-S1-XX-NK-R
 ① ② ③ ④ ⑤ ⑥ ⑦ ⑧ ⑨ ⑩

- ① Series No.
- ② W90 : Side Contact
W00 : Up Contact
- ③ No. of Circuits
- ④ X : Product color(A--Y)
A : Black
- ⑤ S : SMT Type
- ⑥ F : With Post
- ⑦ S1: S1 Type
- ⑧ XX: Plated
- ⑨ NK: No Mark
- ⑩ R : Tape & Reel



PART NO.	Dimensions		
	A	B	C
2x3P	8.65	4.00	2.00
2x4P	10.65	6.00	4.00
2x5P	12.65	8.00	6.00
2x6P	14.65	10.00	8.00
2x7P	16.65	12.00	10.00
2x8P	18.65	14.00	12.00
2x9P	20.65	16.00	14.00
2x10P	22.65	18.00	16.00
2x11P	24.65	20.00	18.00
2x12P	26.65	22.00	20.00
2x13P	28.65	24.00	22.00
2x14P	30.65	26.00	24.00
2x15P	32.65	28.00	26.00
2x16P	34.65	30.00	28.00
2x17P	36.65	32.00	30.00
2x18P	38.65	34.00	32.00
2x19P	40.65	36.00	34.00
2x20P	42.65	38.00	36.00
2x21P	44.65	40.00	38.00
2x22P	46.65	42.00	40.00

Part No.	Insulator	Cap	Contact Material
12012W00-2xNPA-SF-S1-0A-NK-R	High temperature plastic/UL94V-0/Black	High temperature plastic/UL94V-0/Black	Brass/1u"Au on contact area
12012W00-2xNPA-SF-S1-0G-NK-R	High temperature plastic/UL94V-0/Black	High temperature plastic/UL94V-0/Black	Brass/15u"Au on contact area

REV.	REVISION RECORD	DATE	UNIT: MM	SIZE: A4	GENERAL TOLERANCES	SCALE: 1:1	NAME	DATE	PART. NO:	DWG. NO:	JCTC [®] TERMINAL&CONNECTORS
A0	新图面发行	20.09.29			LINEAR	APPROVED	Nelson	21.05.17	12012W00-2xNPA-SF-S1-XX-NK-R	ENDE05	
A1	WR210517127	21.05.17			0.0±0.25	DESIGNER	MU	21.05.17			
					X° REF±6°	DRAWN	GHJ	21.05.17	TITLE: 2.00mm PITCH DUAL ROW SMT TYPE 180° WAFER (带柱)		

