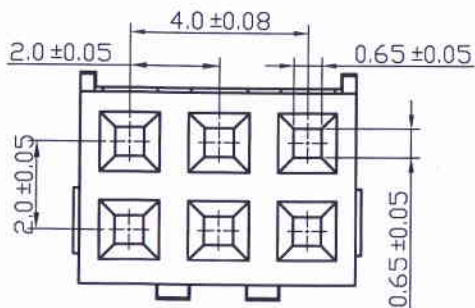
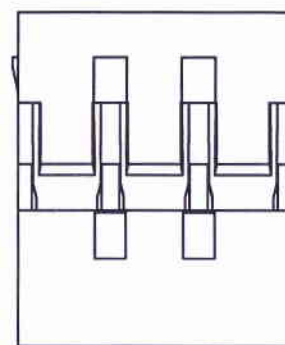
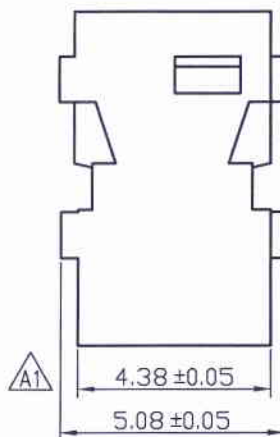
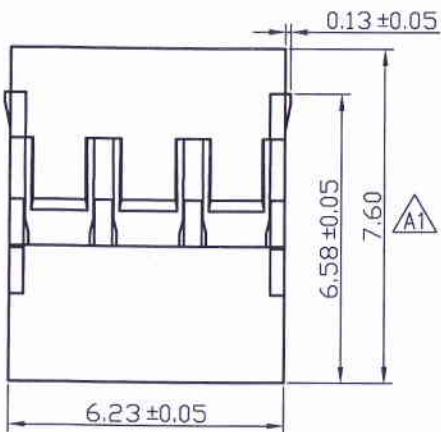
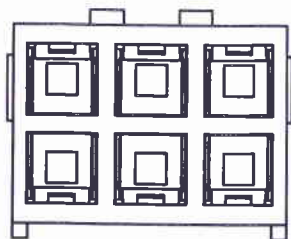
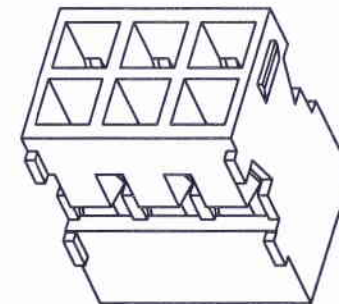


RoHS

Specifications:  
 Rated Voltage : 250V AC/DC  
 Rated Current : 3A AC,DC  
 Withstand Voltage : 1000V AC/minute  
 Contact Resistance : 20mΩ(MAX.)  
 Insulation Resistance : 1000MΩ(MIN.)  
 Operating temperature : -40°C~+105°C  
 Storage temperature : -40°C~+105°C



Part No.	Material	Color	备注
12018H00-2x3PA-A-HF	三菱1002HUS,UL 94V-0	黑色(无卤)	---

REV.	REVISION RECORD	DATE	UNIT: MM	GENERAL TOLERANCES		SCALE:	NAME	DATE
A0	新图面发行	17.02.23		LINEAR	ANGLES	1:1		
A1	依HR1705180066设变产品	17.06.02	0.00±0.15	X° ±3°	APPROVED	伍文聪	17.06.02	
			0.00±0.08	X° X'±2°	DESIGNER	伍文聪	17.06.02	
					DRAWN	伍文聪	17.06.02	

<b>JCTC</b> ® 胜蓝科技股份有限公司		PART NO:	12018H00-2xNPX-A-HF	
TERMINAL&CONNECTORS 东莞市富智达电子科技有限公司		DWG. NO:	ENDE05	
TITLE: 2.0mm Pitch 双排 Housing(0.5针规格)		REV:	A1	SHEET: 1/1