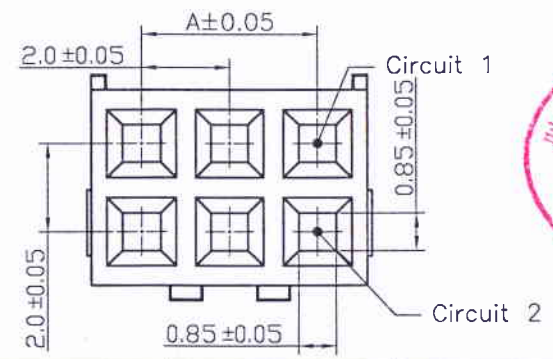
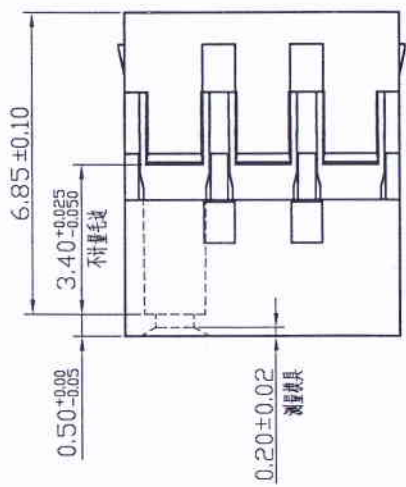
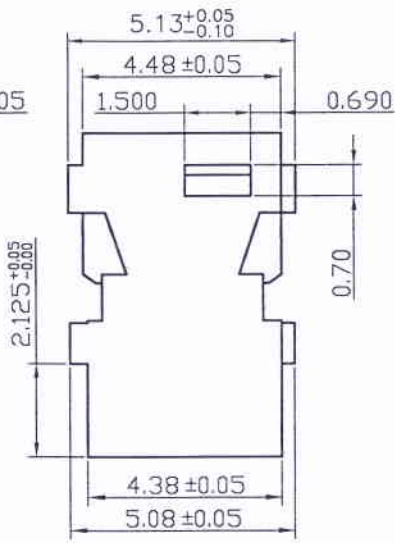
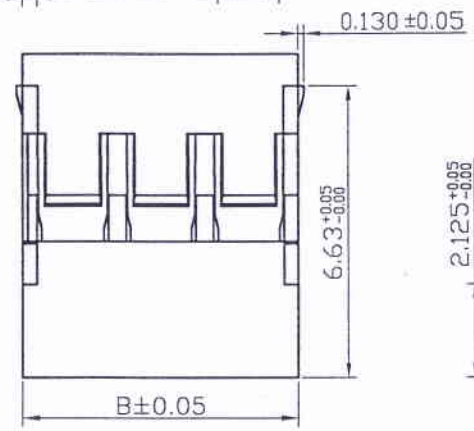
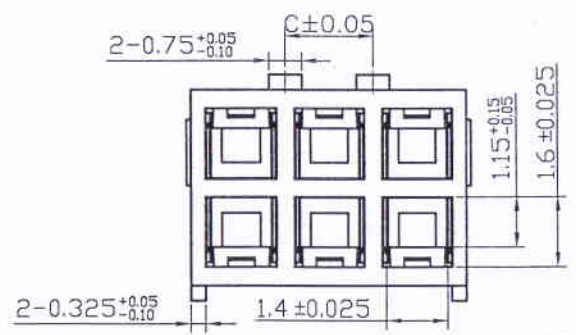
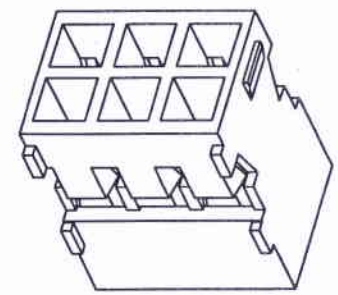


Specifications:  
 Rated Voltage : 250V AC/DC  
 Rated Current : 3A AC,DC  
 Withstand Voltage : 1000V AC/minute  
 Contact Resistance : 20mΩ(MAX.)  
 Insulation Resistance : 1000MΩ(MIN.)  
 Temperature Range : -40°C~+105°C  
 The product using material and processing must conform to the "WI-PZ-142"HSF technical standard control requirements



Circuits No.	Dimensions		
	A	B	C
2x3P	4.00	6.23	2.00
2x4P	6.00	8.23	4.00

Part No.	Material	Color	备注
12018H00-2xNPA-HF	3美1002HUS,UL 94V-0	黑色(无齿)	—

REV.	REVISION RECORD	DATE	UNIT: MM	GENERAL TOLERANCES	SCALE: 1:1	NAME	DATE	JCTC® 胜蓝科技股份有限公司 TERMINAL&CONNECTORS 东莞市富智达电子科技有限公司	PART NO:
AO	新图面发行	17.03.06		LINEAR					
A1	依开发单170913214增加P位	17.09.13		0.0±0.25	X° REF±6°	APPROVED	14/10-17		DWG NO:
				0.00±0.15	X° ±3°	DESIGNER	17.10.14		ENDE05
			SIZE: A4	0.000±0.08	X° X'±2°	DRAWN	伍文聪	17.09.13	REV: A1 SHEET: 1/1