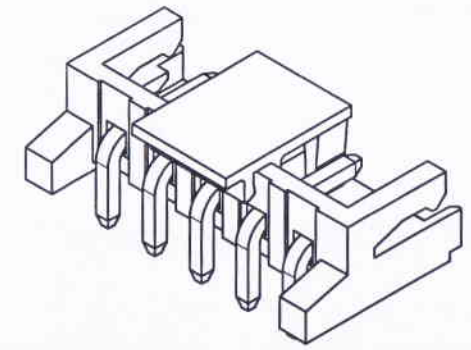
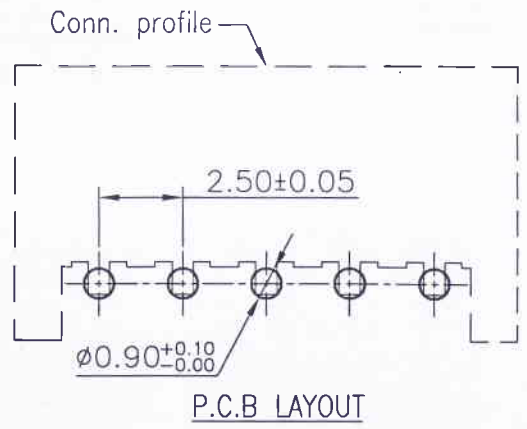
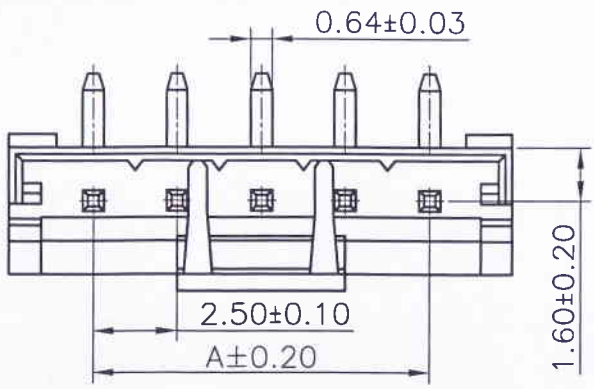
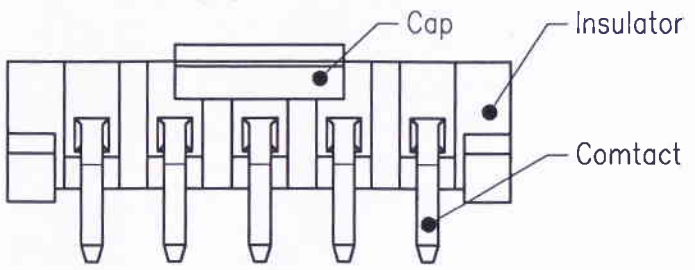
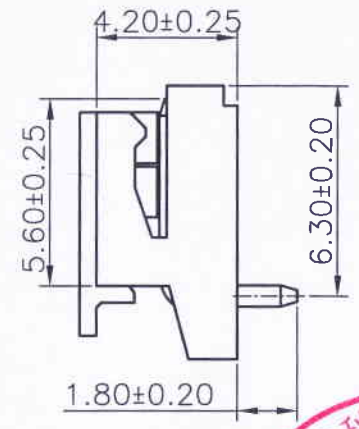
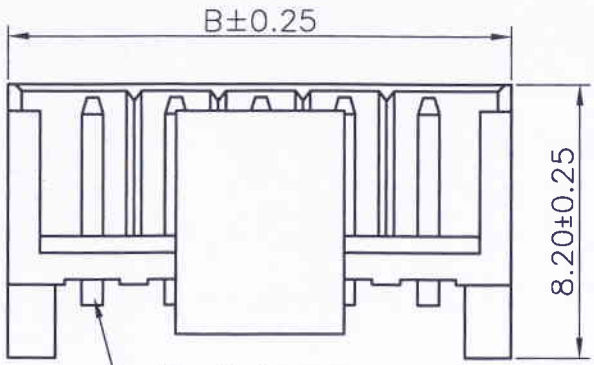


RoHS



Specifications  
 Voltage Rating: 250V AC,DC  
 Current Rating: 3A AC,DC  
 Withstanding Voltage: 800V AC/minute  
 Contact Resistance: 10mΩ Max  
 Insulation Resistance: 1000MΩ Min  
 Temperature Range: -25°C ~ +85°C  
 Insulator: HTN,UL94V-0/Natural(Beige)  
 Cap: HTN,UL94V-0/Natural(Beige)  
 Contact: Brass



12502W90-NP-5A-HF-NK-R  
 ① ② ③ ④ ⑤ ⑥ ⑦

- ① Series No.
- ② W90 : Side Contact  
W00 : Up Contact
- ③ No. of Circuits
- ④ 5A : Gold-flash
- ⑤ HF: Halogen Free
- ⑥ NK : No Mark
- ⑦ R : Tape & Reel

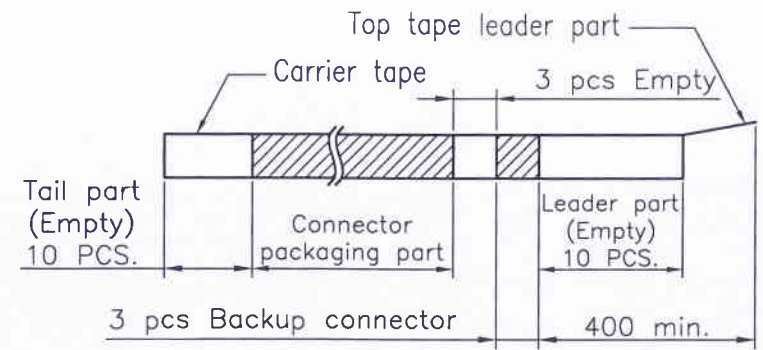
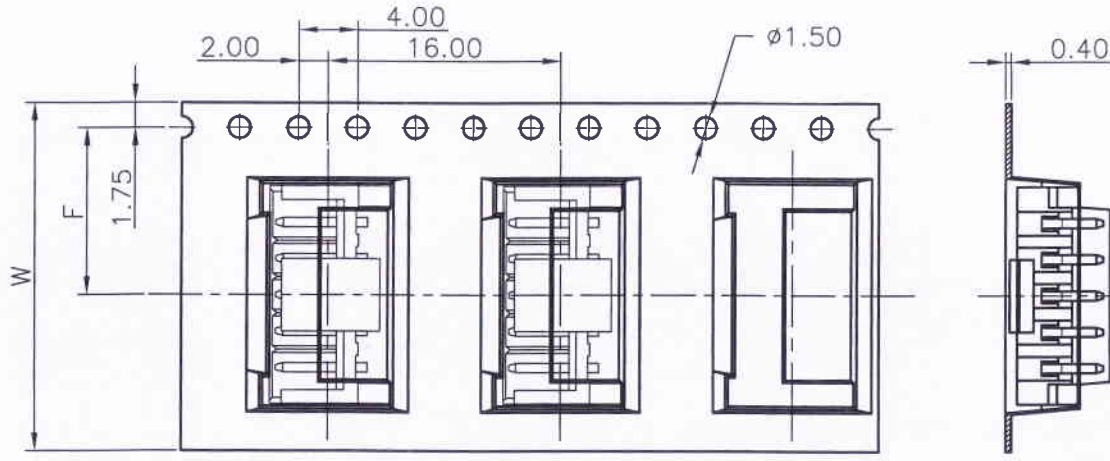
Dimensional Ordering Information:		
Circuits	Dimensions	
Part No	A	B
5P	10.00	15.00
7P	15.00	20.00



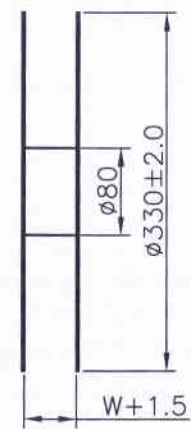
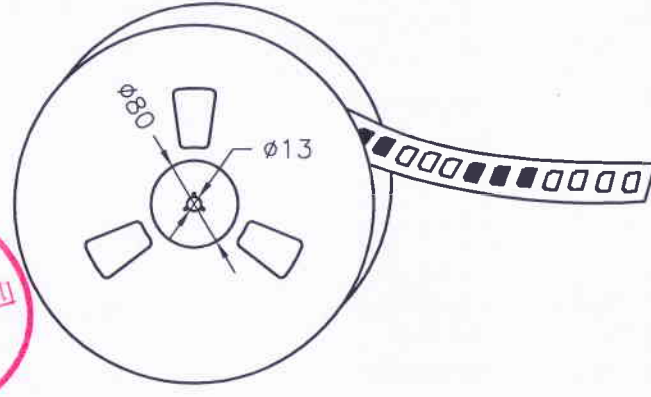
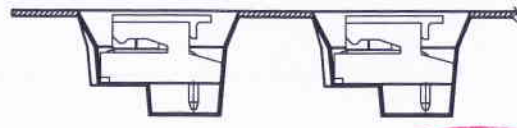
REV.	REVISION RECORD	DATE	UNIT: MM	GENERAL TOLERANCES		SCALE:	NAME	DATE	PART. NO:
A0	新图面发行	15.05.04		LINEAR	ANGLES	1:1 <td></td> <td></td> <th>12502W90-NP-5A-HF-NK-R</th>			
A1	WN1506010088	15.06.24	SIZE: A4	0.0±0.25	X° REF±6°	APPROVED			DWG. NO:
A2	增加7P规格	16.10.18		0.00±0.15	X° ±3°	DESIGNER	16.10.18		ENDE05
				0.000±0.08	X° X'±2°	DRAWN	王国伟	16.10.18	REV: A2
TITLE: EH 2.50mm PITCH WAFER									SHEET: 1/2

**JCTC**® 胜蓝科技股份有限公司  
 TERMINAL&CONNECTORS 东莞市富智达电子科技有限公司

RoHS



Unreeling direction →



Number of Contacts	W±0.3	F±0.1	Q'ty/Reel
5P	24.0	11.50	500PCS
7P	32.0	14.20	500PCS

REV.	REVISION RECORD	DATE		GENERAL TOLERANCES		SCALE:	NAME	DATE	<b>JCTC</b> ® 胜蓝科技股份有限公司 TERMINAL&CONNECTORS 东莞市富智达电子科技有限公司	PART. NO:
A0	新图面发行	15. 05. 04		LINEAR	ANGLES	1:1				12502W90-NP-5A-HF-NK-R
A1	WN1506010088	15. 06. 24		0.0±0.25	X° REF±6°	APPROVED				DWG. NO:
A2	新增7PIN规格	16. 10. 18		0.00±0.15	X° ±3°	DESIGNER				ENDE05
				0.000±0.08	X° X'±2°	DRAWN	王国伟	16. 10. 18		REV: A2 SHEET: 2/2

TITLE: EH 2.50mm PITCH WAFER