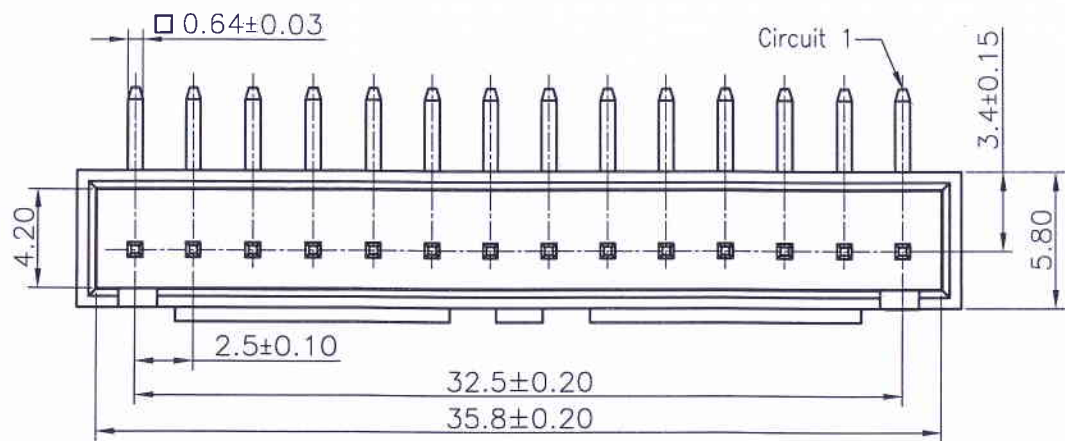
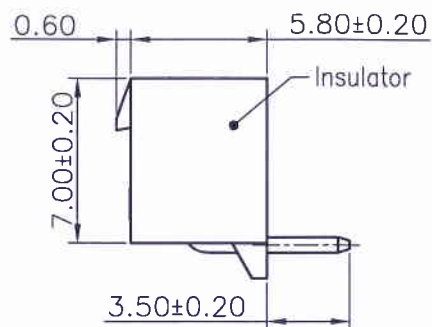
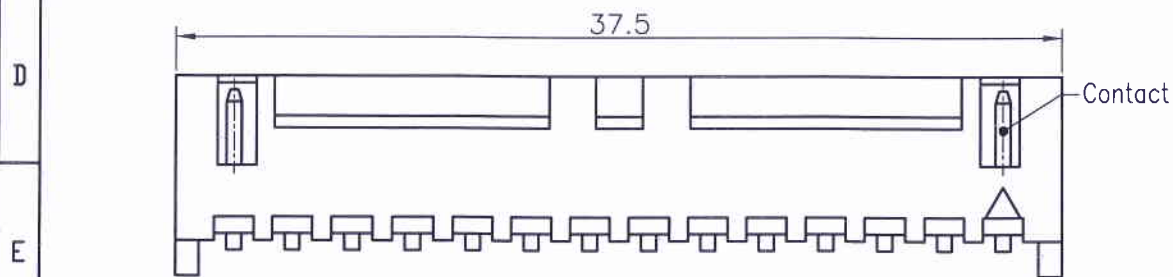


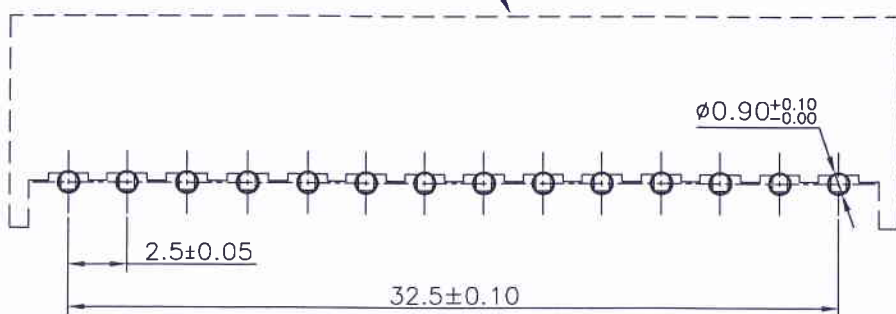
RoHS



Specifications:
 Rated Voltage : 250V AC/DC
 Rated Current : 3A AC,DC
 Withstand Voltage :1000V AC/minute
 Contact Resistance : 30mΩ(MAX.)
 Insulation Resistance : 1000MΩ(MIN.)
 Temperature Range : -25°C~+85°C
 Contact: Brass/Tin-plated
 Material: Nylon 66,UL94V-0, Halogen Free
 Color: Natural(White)



Conn. profile



P.C.B. LAYOUT



REV.	REVISION RECORD	DATE		GENERAL TOLERANCES		SCALE:	NAME	DATE	JCTC ® 胜蓝科技股份有限公司 TERMINAL&CONNECTORS 东莞市富智达电子科技有限公司	PART. NO:
CO	新图面发行	14. 07. 10		LINEAR	ANGLES	1:1 <th>APPROVED</th> <td>12504W90-14P-L-HF-NK</td>				APPROVED
C1	更新公司名称	17. 05. 27	UNIT: MM	0.00±0.15	X° ±3°	DESIGNER	伍文聪	17.05.27	DWG. NO: ENDE05	
			SIZE: A4	0.000±0.08	X° X'±2°	DRAWN	伍文聪	17. 05. 27		REV: C1 SHEET: 1/1

1

2

3

4

5

6

7

8