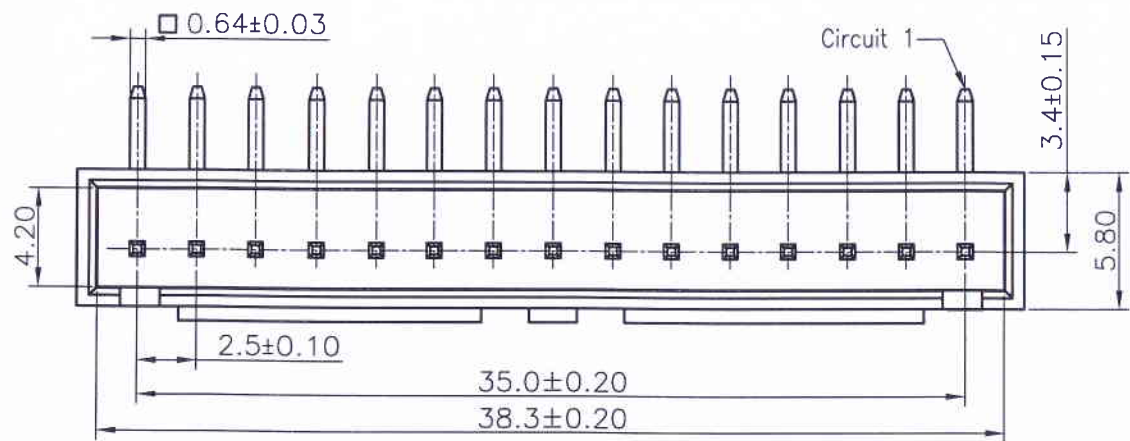
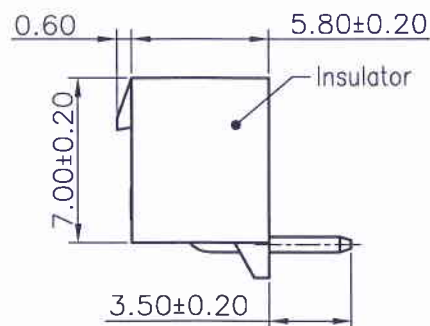
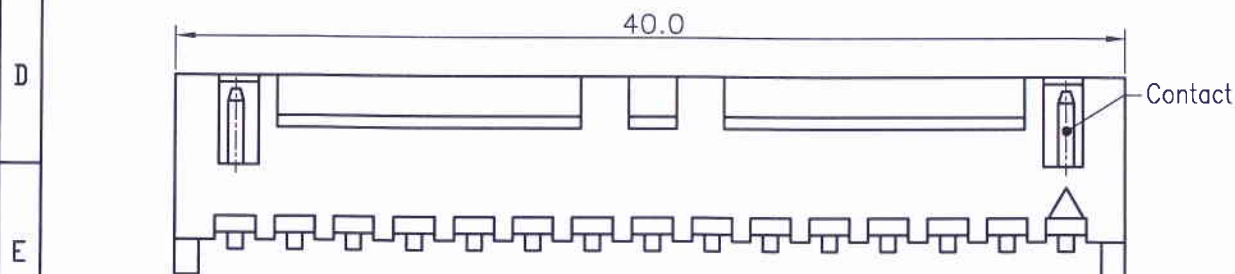


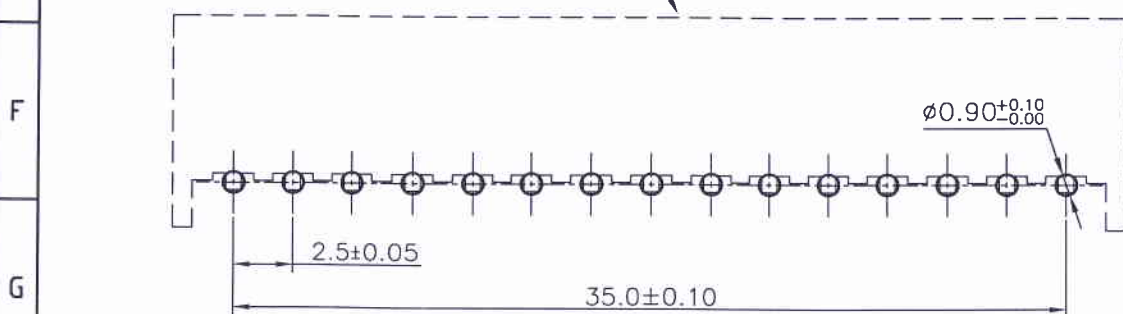
RoHS



Specifications:  
 Rated Voltage : 250V AC/DC  
 Rated Current : 3A AC,DC  
 Withstand Voltage :1000V AC/minute  
 Contact Resistance : 30mΩ(MAX.)  
 Insulation Resistance : 1000MΩ(MIN.)  
 Temperature Range : -25°C~+85°C  
 Contact: Brass/Tin-plated  
 Material: Nylon 66,UL94V-0, Halogen Free  
 Color: Natural(White)



Conn. profile



P.C.B. LAYOUT



REV.	REVISION RECORD	DATE		GENERAL TOLERANCES		SCALE: 1:1	NAME	DATE	<b>JCTC</b> ® 胜蓝科技股份有限公司 TERMINAL&CONNECTORS 东莞市富智达电子科技有限公司	PART. NO: 12504W90-15P-L-HF-NK
C0	新图面发行	14. 04. 25		LINEAR	ANGLES	APPROVED	伍文聪	17.05.27		DWG. NO: ENDE05
C1	更新公司名称	17. 05. 27	UNIT: MM	0.00±0.15	X° ±3°	DESIGNER	伍文聪	17.05.27	TITLE: 2.50mm PITCH DIP TYPE 90° WAFER	REV: C1 SHEET: 1/1
			SIZE: A4	0.000±0.08	X° X'±2°	DRAWN	伍文聪	17.05.27		