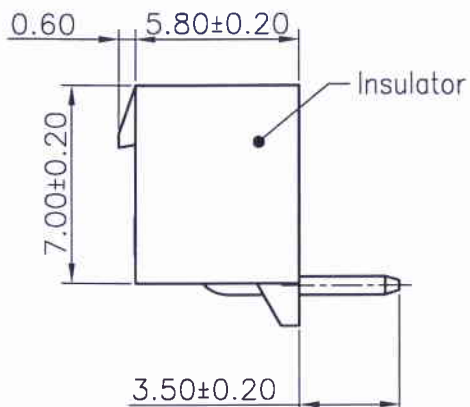
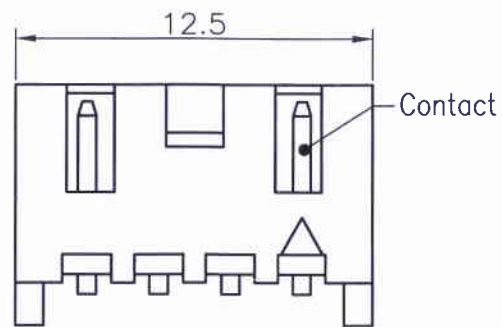
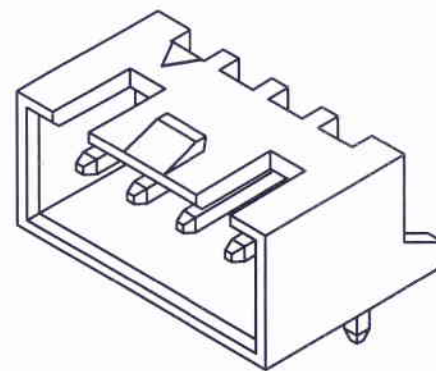
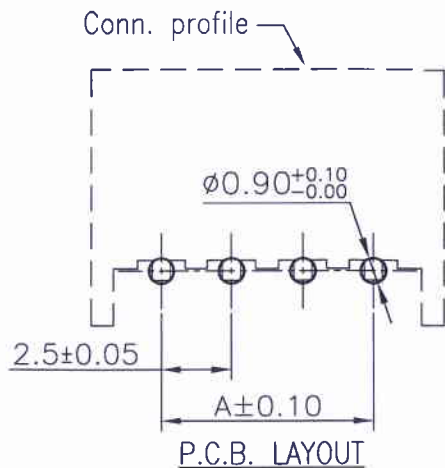
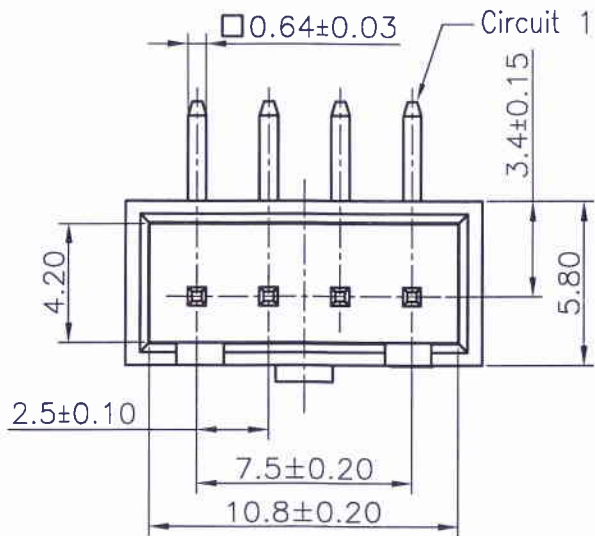


RoHS



Specifications:

Rated Voltage : 250V AC/DC

Rated Current : 3A AC,DC

Withstand Voltage :1000V AC/minute

Contact Resistance : 30mΩ(MAX.)

Insulation Resistance : 1000MΩ(MIN.)

Temperature Range : -25°C~+85°C

Contact: Brass/Tin-plated

Material: Nylon 66,UL94V-0, Halogen Free

Color: Natural(White)



REV.	REVISION RECORD	DATE	GENERAL TOLERANCES	SCALE:	NAME	DATE	JCTC® 胜蓝科技股份有限公司	PART. NO:
C0	新图面发行	14. 04. 25	LINEAR	1:1	APPROVED		TERMINAL&CONNECTORS 东莞市富智达电子科技有限公司	12504W90-4P-L-HF-NK
C1	更新公司名称	17. 05. 27	0.0±0.25	X° REF±6°	DESIGNER	17.05.27		DWG. NO:
			0.00±0.15	X° ±3°	DRAWN	伍文聪		ENDE05
			0.000±0.08	X° X'±2°				REV: C1 SHEET: 1/1
							TITLE:	2.50mm PITCH DIP TYPE 90° WAFER