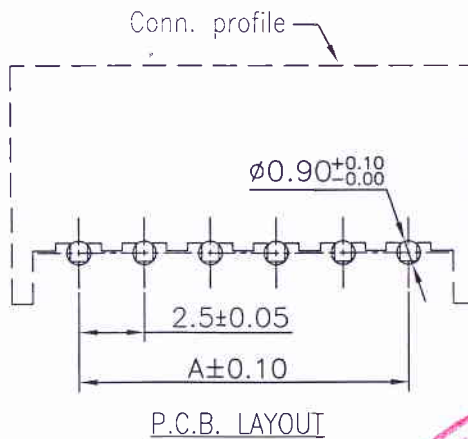
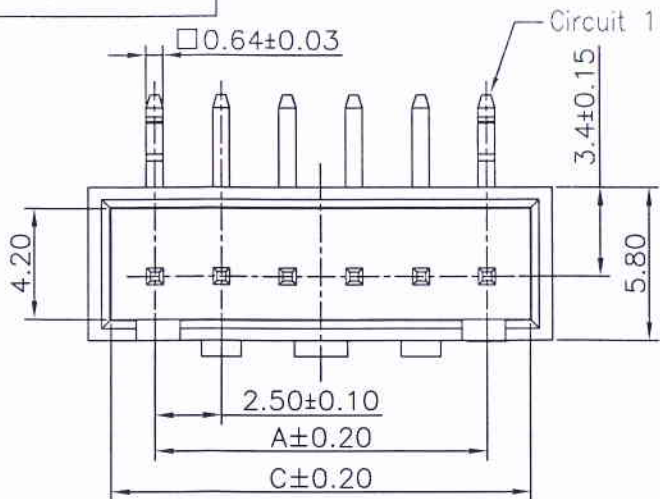
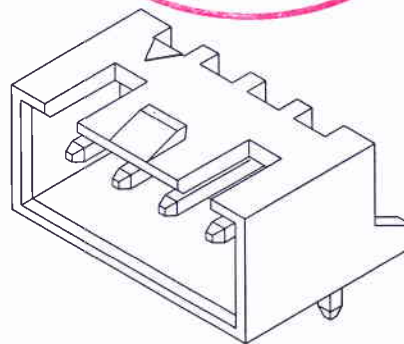
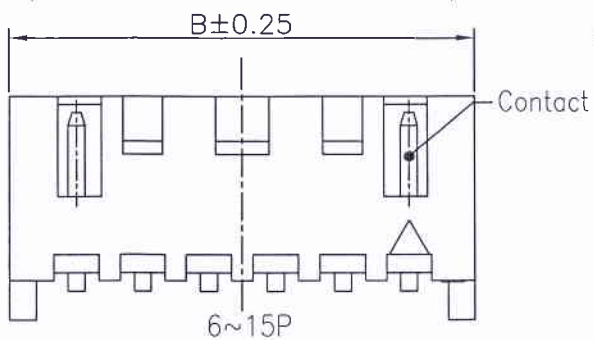
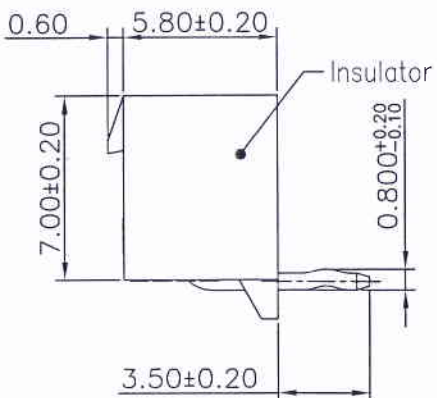


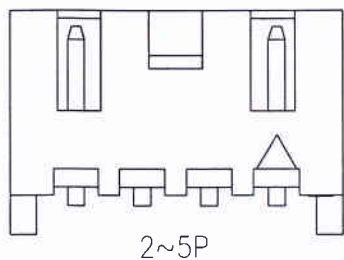
RoHS



Specifications:
 Rated Voltage : 250V AC/DC
 Rated Current : 3A AC,DC
 Withstand Voltage :1000V AC/minute
 Contact Resistance : 30mΩ(MAX.)
 Insulation Resistance : 1000MΩ(MIN.)
 Temperature Range : -25°C~+85°C
 Contact: Brass/Tin-plated
 Material: Nylon 66,UL94V-0, Halogen Free
 Color: Natural(White)



Circuits	Dimensions		
	A	B	C
2P	---	7.50	5.80
3P	5.00	10.00	8.30
4P	7.50	12.50	10.80
5P	10.00	15.00	13.30
6P	12.50	17.50	15.80
7P	15.00	20.00	18.30
8P	17.50	22.50	20.80
9P	20.00	25.00	23.30
10P	22.50	27.50	25.80
11P	25.00	30.00	28.30
12P	27.50	32.50	30.80
13P	30.00	35.00	33.30
14P	32.50	37.50	35.80
15P	35.00	40.00	38.30



REV.	REVISION RECORD	DATE	UNIT: MM SIZE: M4	GENERAL TOLERANCES		SCALE: 1:1	NAME	DATE	JCTC® 胜蓝科技股份有限公司 TERMINAL&CONNECTORS 东莞市富智达电子科技有限公司	PART. NO:
AO	新图面发行	16.09.28		0.3±0.25	ANGLES X° REF±6°	APPROVED	王	28/9/16		12504W90-NP-L-K-HF-NK
			0.00±0.15	X° ±3°	DESIGNER	王	16.09.28	DRG. NO:	ENDE05	
			0.006±0.08	X° X° ±2°	DRAWN	王	16.09.28	TITLE:	2.50mm PITCH DIP TYPE 90° WAFER	REV: AO SHEET: 1/1