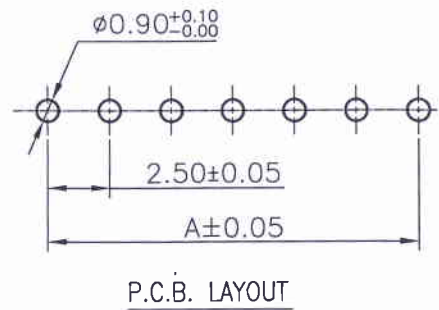
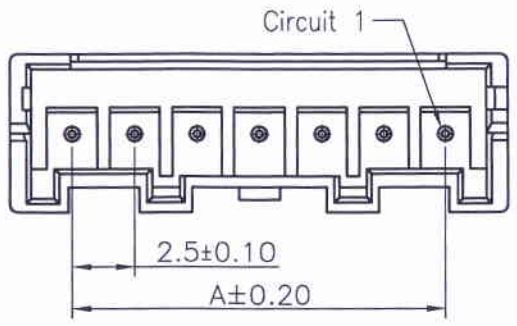
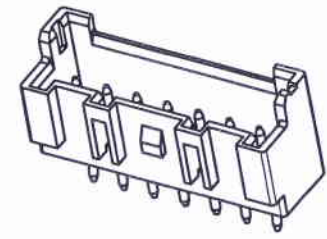
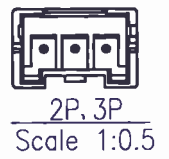
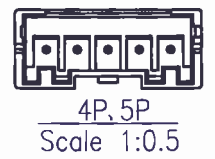
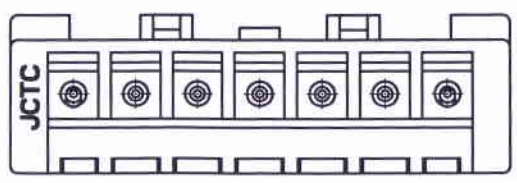
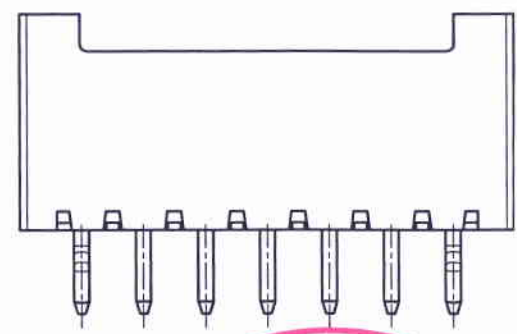
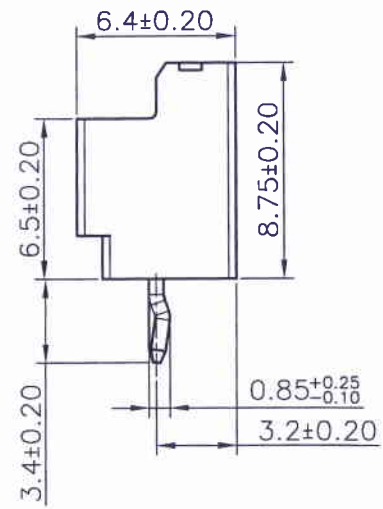
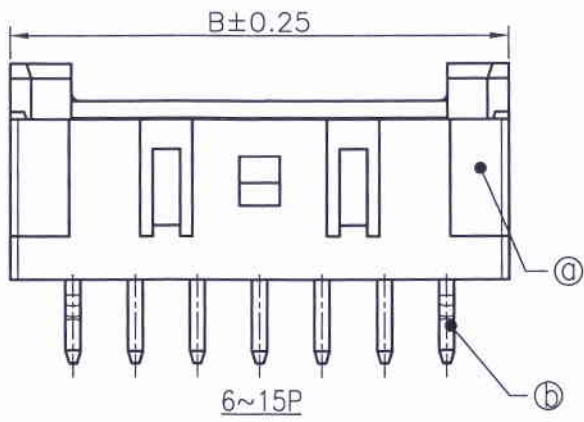


RoHS

Specifications:  
 Voltage Rating : 250V AC/DC  
 Current Rating : 3A AC,DC  
 Withstand Voltage : 1000V AC/minute  
 Contact Resistance : 10mΩ(MAX.)  
 Insulation Resistance : 1000MΩ(MIN.)  
 Temperature Range : -25°C~+85°C



12505W00-NP-XX-HF  
 ① ② ③ ④ ⑤  
 ① Series No.  
 ② W90 : Side Contact  
 W00 : Up Contact  
 ③ No. of Circuits  
 ④ 5A : Gold Flash  
 ⑤ HF : Halogen Free



Circuits Part No	Dimensions	
	A	B
2P	--	7.50
3P	5.00	10.00
4P	7.50	12.50
5P	10.00	15.00
6P	12.50	17.50
7P	15.00	20.00
8P	17.50	22.50
9P	20.00	25.00
10P	22.50	27.50
11P	25.00	30.00
12P	27.50	32.50
13P	30.00	35.00
14P	32.50	37.50
15P	35.00	40.00



Part No.	Color	Contact
12505W00-NP-HF	Nylon 66, UL94V-0 Natural(White)	Brass/Tin-plated
12505W00-NP-5A-HF	Nylon 66, UL94V-0 Natural(White)	Brass/Gold Flash

REV.	REVISION RECORD	DATE
A0	新图面发行	14.12.12
A1	更新公司名称	17.04.07

GENERAL TOLERANCES		SCALE:	NAME	DATE
LINEAR	ANGLES	1:1		
0.0±0.25	X° REF±6°	APPROVED		
UNIT: MM	0.00±0.15	X° ±3°	DESIGNER	
SIZE: A4	0.000±0.08	X° X'±2°	DRAWN	

**JCTC** 胜蓝科技股份有限公司  
 TERMINAL&CONNECTORS 东莞市富智达电子科技有限公司  
 TITLE: 2.50mm PITCH DIP TYPE WAFER

PART. NO:	12505W00-NP-HF
DWG. NO:	ENDE05
REV:	A1
SHEET:	1/1