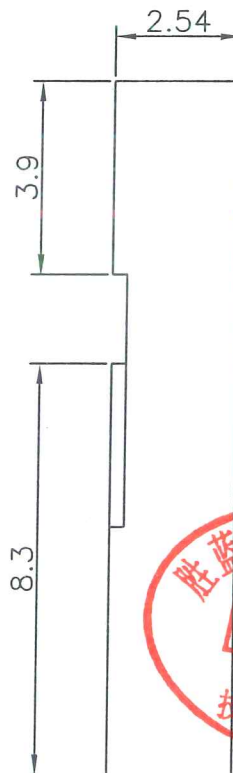
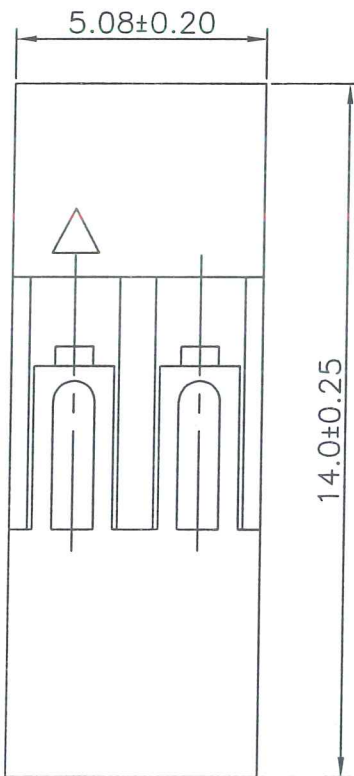
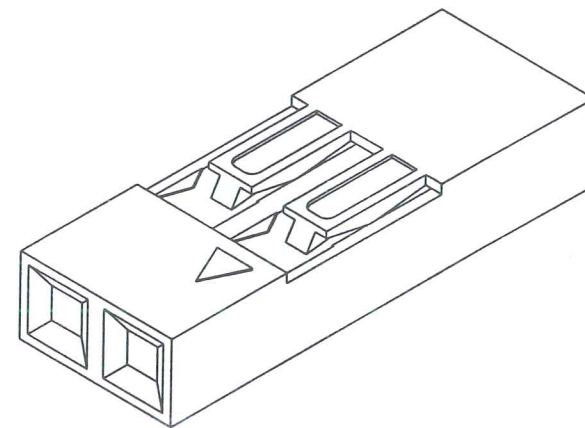


12541H00-2PA-002

① ② ③④

- ① Series No.
- ② H90 : Side Contact
H00 : Up Contact
- ③ No. of Circuits
- ④ A : Product color(A--Y)
Blank : Natural type



Specifications:

Rated Voltage : 250V AC/DC

Rated Current : 3A AC,DC

Withstand Voltage : 800V AC/minute

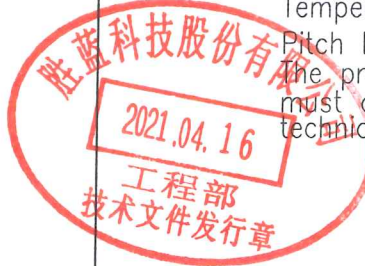
Contact Resistance : 20mΩ(MAX.)

Insulation Resistance : 1000MΩ(MIN.)

Temperature Range : -25°C~+85°C

Pitch Between Poles : 2.54mm

The product using material and processing must conform to the "WI-PZ-142"HSF technical standard control requirements



Part No.	Material	Color	备注
12541H00-2PA-002	PBT,UL 94V-0	黑色	29925-1

REV.	REVISION RECORD	DATE	GENERAL TOLERANCES		SCALE:	NAME	DATE
C0	换图框发行	10.04.23	 LINEAR 0.0±0.25	 ANGLES X° RFF±6°	1:1	罗祖国	21.04.14
C1	换图框发行	21.04.14			 UNIT: MM 0.00±0.15	 X° ±3°	APPROVED
			 SIZE: A4 0.000±0.08	 X° X'±2°			DRAWN

PART. NO.:	DWG. NO.:
12541H00-2PA-002	ENDE05
TITLE: DB 单排 2.54mm PITCH HOUSING	

JCTC®
 TERMINAL&CONNECTORS

REV: C1 SHEET: 1/1