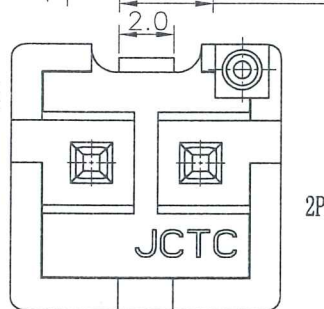
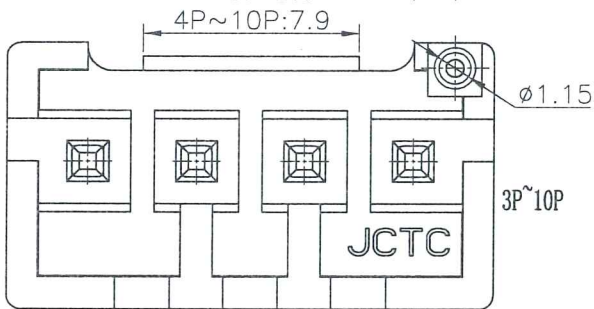
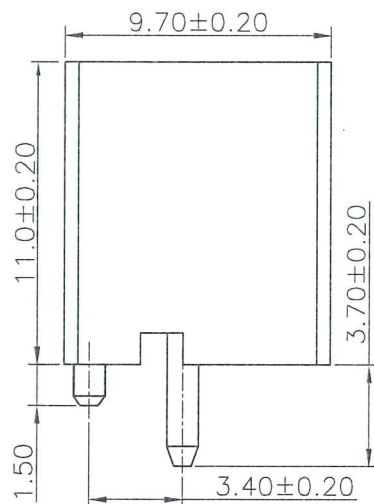
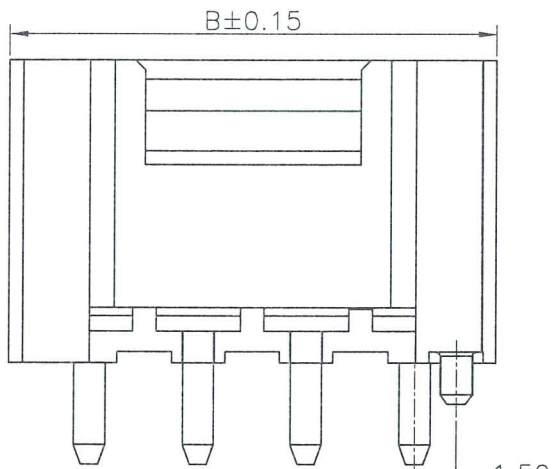


PCB Layout (T=1.60mm)  
General Tolerance: ±0.05



Specifications:  
 Rated Voltage : 250V AC/DC  
 Rated Current : 7A AC,DC(AWG 18#)  
 10A AC,DC(AWG 16#)/1 circuit only  
 Withstand Voltage : 1500V AC/minute  
 Contact Resistance : 10mΩ(MAX.)  
 Insulation Resistance : 1000MΩ(MIN.)  
 Temperature Range : -25°C~+85°C  
 The product using material and processing must conform to the "WI-PZ-142"HSF technical standard control requirements

Circuit	Dimensions	
	A	B
2P	--	9.80
3P	7.92	13.76
4P	11.88	17.72
5P	15.84	21.72
6P	19.80	25.68
7P	23.76	29.60
8P	27.72	33.60
9P	31.68	37.56
10P	35.64	41.48



Part No.	Insulator	Color	Pin Material
13962W00-NP-B-F-HF	Nylon 66+30%GF,UL94V-0	Natural	Brass/Tin-plated
13962W00-NPE-B-F-HF	Nylon 66+30%GF,UL94V-0	Yellow	Brass/Tin-plated

REV.	REVISION RECORD	DATE
A0	新版图面发行	21.04.20
A1	依YB2110080002新增规格	21.10.27

GENERAL TOLERANCES	
LINEAR	0.0 ± 0.25
ANGLES	X° REF ± 6°
UNIT: MM	0.00 ± 0.15
SIZE: A4	0.000 ± 0.08

SCALE:	NAME	DATE
1:1	Nelson	21.10.27
APPROVED	mm	21.10.27
DESIGNER	ZZK	21.10.27
DRAWN		

PART NO.:	DWG. NO.:
13962W00-NPX-B-F-HF	ENDE05
TITLE: VH 3.96mm PITCH DIP TYPE 180° WAFER/全包式	

<b>JCTC</b> ®	
TERMINAL&CONNECTORS	
REV: A1	SHEET: 1/1