

1 2 3 4 5 6 7 8

A

B

C

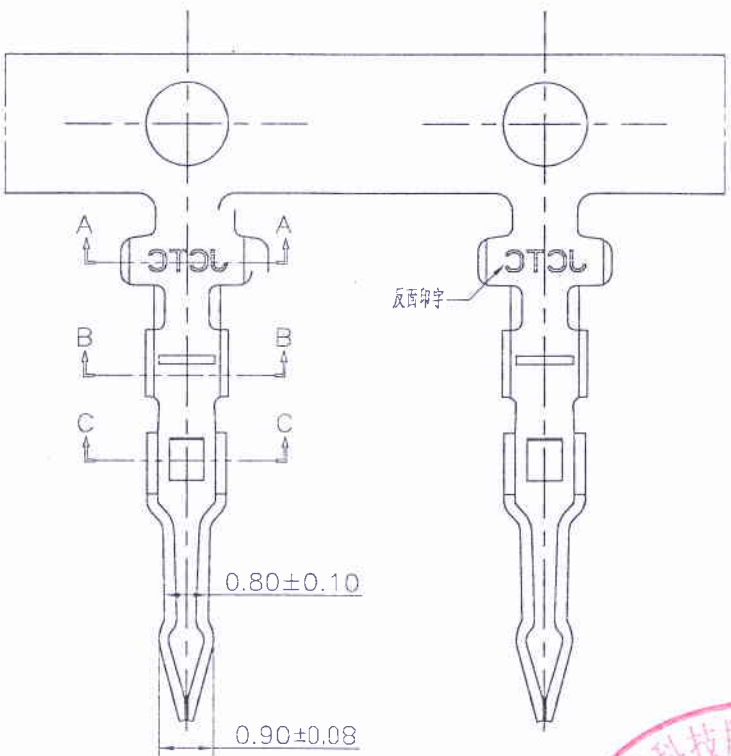
D

E

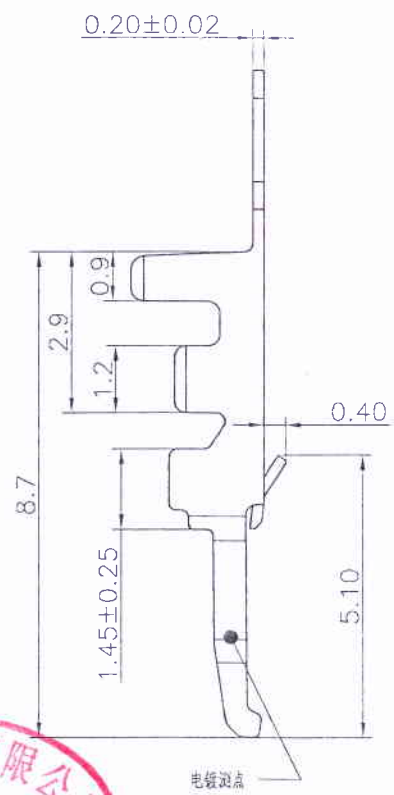
F

G

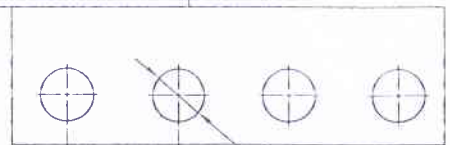
H



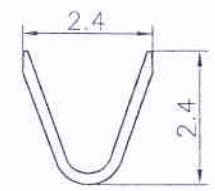
反面符号



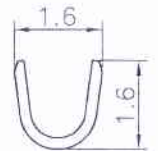
电镀测点



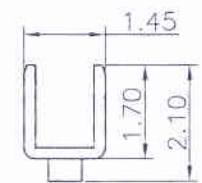
PCB LAYOUT



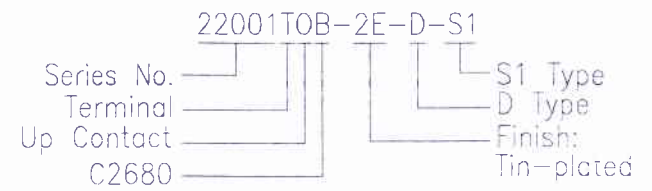
SECTION A-A



SECTION B-B



SECTION C-C



The product using material and processing must conform to the "WI-PZ-142"HSF technical standard control requirements

Part No	Wire Range	Insulation O.D.	Material	Finish	Qty/reel
22001TOB-2E-D-S1	AWG #24~#28	1.40mm(max)	Brass	Tin-plated	10,000 pcs

REV.	REVISION RECORD	DATE	GENERAL TOLERANCES	SCALE:	NAME	DATE	PARC NO:
C0	新图面发行	18.06.18	LINEAR	1:1			22001TOB-2E-D-S1
C1	TN1012080149	18.12.08	ANGLES	APPROVED	<i>[Signature]</i>		
C2	更新公司名称	17.08.10	0.0±0.25	DESIGNER	<i>[Signature]</i>		
C3	依TN:806006009:没变	18.06.06	X° REF±B°	DRAWN	罗春成	18.06.06	ENDE05

JCTC 胜蓝科技股份有限公司
TERMINAL CONNECTORS 东莞市富智达电子科技有限公司

SAN 2.0 180° 端子

REV: C3 SHEET: 1/1

1 2 3 4 5 6 7 8