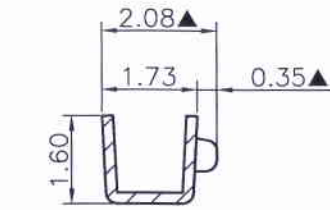
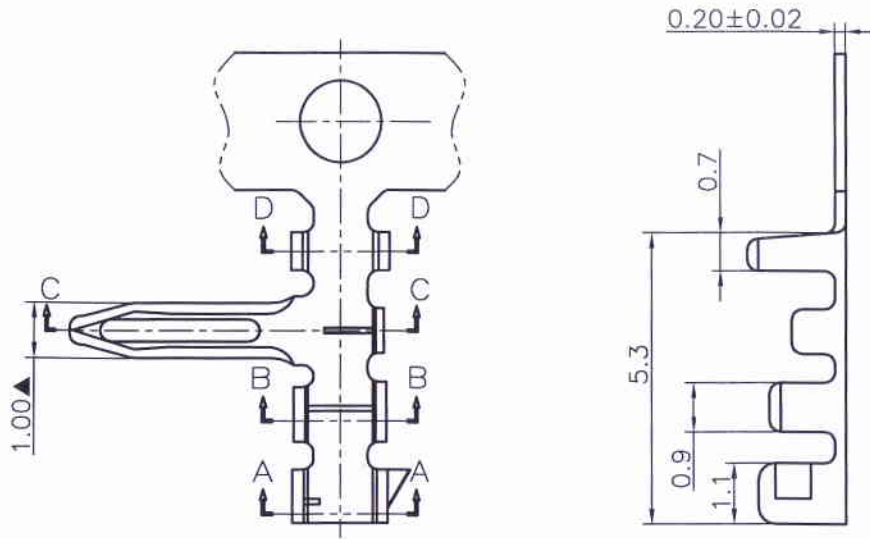
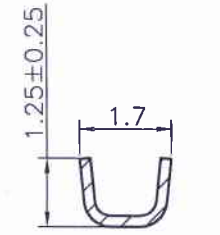


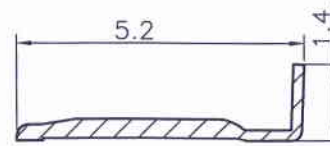
RoHS



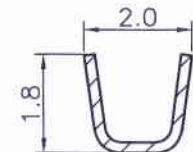
Section A-A



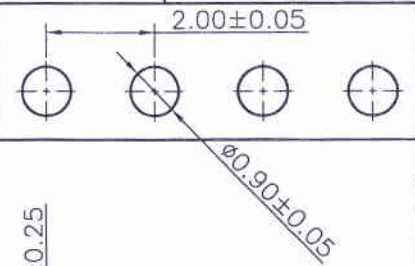
Section B-B



Section C-C



Section D-D



| Part No       | Wire Range  | Insulation O.D. | Material | Finish             | Qty/reel   |
|---------------|-------------|-----------------|----------|--------------------|------------|
| 22001T9B-2E-B | AWG #26~#28 | 1.45mm(max)     | Brass    | Tin-plated 60u"Min | 10,000 pcs |

22001T9 B- 2E - B  
 Series ———— | ———— Type  
 Material ———— | ———— Plating  
 B:Brass ———— | ———— 2E:Tin-plated (Stamping before plating)



| REV. | REVISION RECORD | DATE     | UNIT: MM   | GENERAL TOLERANCES |           | SCALE:   | NAME     | DATE          | <b>JCTC</b> 胜蓝科技股份有限公司<br>TERMINAL&CONNECTORS 东莞市富智达电子科技有限公司 | PART. NO: |
|------|-----------------|----------|------------|--------------------|-----------|----------|----------|---------------|--|-----------|
| C0   | 新图面发行           | 09.11.25 |            | SIZE: A4           | LINEAR    | ANGLES   |          |               |  | 1:1       |
| C1   | 变更公司名称          | 17.03.17 | 0.0±0.25   |                    | X° REF±6° | APPROVED | DESIGNER | 17.05.10      |  | DWG. NO:  |
|      |                 |          | 0.00±0.15  | X° ±3°             | DESIGNER  | DRAWN    | 17.05.10 | TITLE:        |  | ENDE05    |
|      |                 |          | 0.000±0.08 | X° X'±2°           | DRAWN     | 卢小锋      | 17.03.17 | SAN2.0 90° 端子 | REV: C1 SHEET: 1/1   |           |